

Chapter III Load Chart



1. General

1.1 Calculation of rated load

The rated loads specified in the Load Chart are either determined by the strength or by the stability.

The rated load determined by the stability can be calculated according to the standard ISO 4305:1991 Mobile Cranes -- Determination of Stability, and this rated load should be within the range of 75% of the turnover load.

1.2 Correct use of the load

- 1) Ground conditions: rated loads in the load charts are calculated in the condition that the crane is on hard, horizontal and evenly-supported ground with gradient smaller than 1%. If these condition requirements are not fulfilled, the value of rated loads must be decreased for calculation.
- 2) Actual Lifting Capacity: the weight of hook blocks, lifting devices, and wire ropes reeving between the hooks and boom/jib head must be deducted from the rate load to obtain a net lifting value, i.e. the actual lifting capacity. The SCC6500A upper boom point can install with 18t ball hook (single part of line, max. load of 16t) and 50t hook (thtee parts of line, max. load of 48t). The load chart is calculated as the following:

Table 1.1 Hook Parameters Table (Two Sheave Blocks)

Nominal load of hook (t)	650t Hook Block (two sheave blocks) (Max. load of 650t)	250t Hook	150t Hook
Deadweight of hook (t) GO	20.2	8.5	5.3
Deadweight of upper boom point (t) g	0.6		

Table 1.2 Hook Parameters Table (Single Sheave Blocks)

Nominal load of hook (t)	650t Hook Block (One sheave blocks) (Max. load of 325t)	250t Hook	50t Hook	18t Hook
Deadweight of hook (t) GO	13.7	5.2	1.4	1
Deadweight of upper boom point (t) g	0.6			

- a) Load calculation of 16t ball hook

If $P-(G_0+g) \geq 16t$, $P'=16t$;

$P-(G_0+g) < 16t$, $P'=P-(G_0+g)$

- b) Load calculation of 50t ball hook

If $P-(G_0+g) \geq 48t$, $P'=48t$;

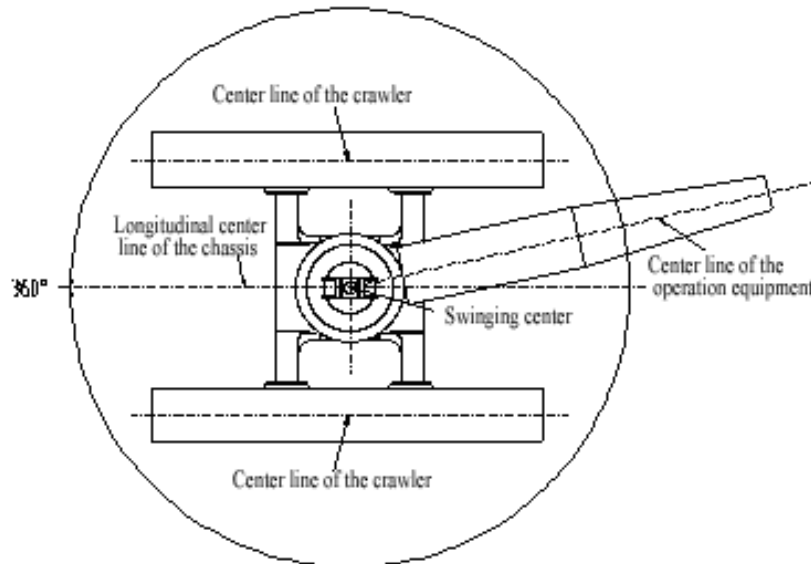
$P-(G_0+g) < 48t$, $P'=P-(G_0+g)$

Note: ① Wire rope reeving from the hook block (of main and/or aux. hook), to the boom/jib head is calculated as 3.69kg/m.

② P is the load value of main hook and P' is the load value of corresponding aux. hook.

③ When the 650t hook is the main hook, it shall be distinguished as the two sheave block or one sheave block. Because the deadweight of them are different and so as the max. rated lifting load.

- 3) Operating temperature of the crane: $-20^{\circ}\text{C}\sim+40^{\circ}\text{C}$ 。
- 4) Wind Speed: Calculating rated loads also takes allowable wind speed of each operating condition into consideration. The SCC6500A crawler crane is allowed to operate when the speed of stable wind or gust is not exceeding 9.8m/s (The allowable stable wind or gust can reach to 13.8m/s if the boom length is lower than 50m). Hence the maximum allowable wind speed for SCC6500A crawler crane is 9.8m/s~13.8m/s (equivalent to 80-120 N/m² dynamic pressure); when the wind speed is higher than 13.8m/s and lower than 21m/s, the crane is not allowed to operate but allowed to have the boom system upstanding; when wind speed is higher than 21m/s, the boom system must be lowered down to the ground.
If the wind speed at operating site cannot fulfill the requirements listed above, the crane is not allowed to operate until the load is reduced accordingly based on the actual situation.
- 5) Operating range: values or rated loads listed in the load charts are all applicable for the whole 360° slewing range.



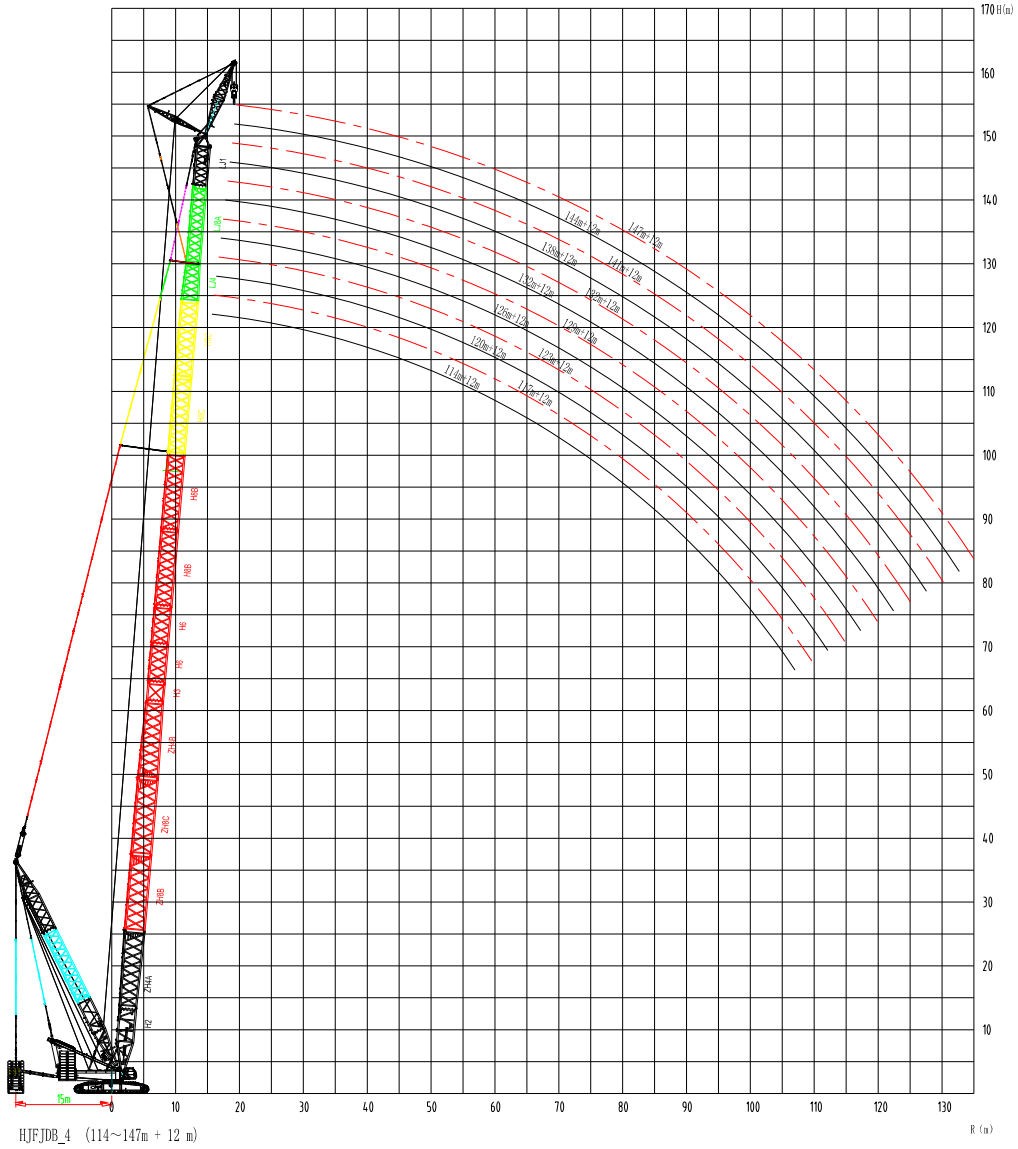
- 6) Rated Load for traveling with load: values listed in the load charts are calculated in condition that the crane is not traveling, and these values should be decreased accordingly when the crane is traveling. For traveling steadily at low speed, 90% of the rated load is allowed to attach in H operating condition for straight-line traveling, 70% of the rated load is allowed to attach in H operating condition for turning, or 100% of the rated load is allowed to attach in FJ operating condition and LJ operating condition for straight-line traveling.

When the crane is traveling with load, you should especially pay attention to:

- a) It is suggested to move the load in an area as small as possible and make the load as close to the ground as possible (with maximum distance of 500mm above the ground);
- b) The crane should travel in low speed as possible and proper measures need to be taken to prevent the load swinging.

For specifications on traveling, please refer to the “Travel Operation” of Section II of this Operation Manual.

2.10 Mixed boom + Fixed jib + Superlift mast + Superlift counterweight (HJFJDB_4)



Curve of lifting height and working radius

SCC6500A-HJFJDB_4 LOAD CHART

Boom 114~159m Jib 12m B-J Angle10° SL R 13m SL CWT 50t Rear CWT 210t Carbody CWT 60t Unit: t

R	Boom (m)												R
m	114	117	120	123	126	129	132	135	138	141	144	147	m
16	162	157	151	145									16
17	162	157	151	145	135	130	125	119					17
18	162	157	151	145	135	130	125	119	113	108	102	96.9	18
19	158	155	151	145	135	130	125	119	113	108	102	96.5	19
20	151	148	145	143	135	130	125	119	113	108	101	96.5	20
22	134	133	132	130	129	126	124	119	112	107	101	96.2	22
24	118	117	117	116	116	115	113	111	110	106	101	95.9	24
26	105	104	104	103	103	102	101	101	101	98.9	97.1	95.1	26
28	94.9	93.9	93.3	92.3	92.6	91.6	90.9	90.0	90.2	89.2	88.6	87.3	28
30	85.5	84.5	83.9	82.9	83.2	82.2	81.5	80.6	80.7	79.8	79.1	78.2	30
32	77.4	76.4	75.7	74.7	75.0	74.0	73.4	72.4	72.6	71.6	70.9	69.9	32
34	70.3	69.3	68.6	67.6	67.9	66.9	66.2	65.2	65.4	64.4	63.7	62.7	34
36	64.0	63.0	62.3	61.3	61.5	60.5	59.9	58.9	59.0	58.1	57.4	56.4	36
38	58.4	57.4	56.7	55.6	55.9	54.9	54.2	53.2	53.4	52.4	51.7	50.7	38
40	53.4	52.3	51.7	50.6	50.9	49.9	49.2	48.2	48.4	47.3	46.6	45.6	40
44	44.8	43.7	43.0	42.0	42.3	41.2	40.5	39.5	39.7	38.7	37.9	36.9	44
48	37.6	36.6	35.9	34.8	35.1	34.1	33.3	32.3	32.5	31.5	30.8	29.7	48
52	31.6	30.6	29.9	28.8	29.1	28.0	27.3	26.3	26.5	25.4	24.7	23.7	52
56	26.5	25.4	24.7	23.7	24.0	22.9	22.2	21.1	21.3	20.3	19.5	18.5	56
60	22.1	21.0	20.3	19.2	19.5	18.5	17.7	16.7	16.9	15.8	15.1	14.0	60
64	18.2	17.2	16.4	15.4	15.7	14.6	13.9	12.8	13.0	11.9	11.2	10.1	64

SCC6500A-HJFJDB_4 LOAD CHART

Boom 114~159m Jib 12m B-J Angle10° SL R 13m SL CWT 100t Rear CWT 210t Carbody CWT 60t Unit: t

R	Boom (m)												R
m	114	117	120	123	126	129	132	135	138	141	144	147	m
16	162	157	151	145									16
17	162	157	151	145	135	130	125	119					17
18	162	157	151	145	135	130	125	119	113	108	102	96.9	18
19	162	157	151	145	135	130	125	119	113	108	102	96.5	19
20	162	157	151	145	135	130	125	119	113	108	101	96.5	20
22	160	156	151	145	135	130	125	119	112	107	101	96.2	22
24	151	150	149	145	135	130	125	119	112	106	101	95.9	24
26	135	134	133	133	133	130	124	118	111	105	100	95.7	26
28	122	121	120	119	120	119	118	117	111	105	99.9	95.5	28
30	111	110	109	108	108	107	107	106	106	105	99.6	95.2	30
32	101	100	99.6	98.6	98.9	97.9	97.2	96.2	96.4	95.5	94.8	93.8	32
34	92.6	91.6	91.0	90.0	90.2	89.2	88.6	87.6	87.8	86.8	86.1	85.1	34
36	85.0	84.0	83.3	82.3	82.6	81.6	80.9	79.9	80.1	79.1	78.5	77.5	36
38	78.3	77.2	76.6	75.5	75.8	74.8	74.1	73.1	73.3	72.3	71.6	70.6	38
40	72.2	71.2	70.5	69.5	69.8	68.7	68.0	67.0	67.2	66.2	65.5	64.5	40
44	61.8	60.8	60.1	59.0	59.3	58.3	57.6	56.6	56.8	55.7	55.0	54.0	44
48	53.2	52.2	51.5	50.4	50.7	49.7	48.9	47.9	48.1	47.1	46.4	45.3	48
52	46.0	44.9	44.2	43.1	43.4	42.4	41.7	40.6	40.8	39.8	39.1	38.0	52
56	39.8	38.7	38.0	36.9	37.2	36.2	35.5	34.4	34.6	33.6	32.8	31.8	56
60	34.5	33.4	32.7	31.6	31.9	30.8	30.1	29.0	29.2	28.2	27.5	26.4	60
64	29.8	28.7	28.0	26.9	27.2	26.2	25.4	24.4	24.6	23.5	22.8	21.7	64

SCC6500A-HJFJDB_4 LOAD CHART

Boom 114~159m Jib 12m B-J Angle10° SL R 13m SL CWT 150t Rear CWT 210t Carbody CWT 60t Unit: t

R	Boom (m)											R	
m	114	117	120	123	126	129	132	135	138	141	144	147	m
16	162	157	151	145									16
17	162	157	151	145	135	130	125	119					17
18	162	157	151	145	135	130	125	119	113	108	102	96.9	18
19	162	157	151	145	135	130	125	119	113	108	102	96.5	19
20	162	157	151	145	135	130	125	119	113	108	101	96.5	20
22	160	156	151	145	135	130	125	119	112	107	101	96.2	22
24	157	155	151	145	135	130	125	119	112	106	101	95.9	24
26	152	152	149	145	135	130	124	118	111	105	100	95.7	26
28	146	147	146	144	135	130	124	118	111	105	99.9	95.5	28
30	136	135	135	134	134	129	123	118	110	105	99.6	95.2	30
32	125	124	123	122	122	121	121	117	109	105	99.2	94.9	32
34	115	114	113	112	112	111	111	110	108	104	98.9	94.7	34
36	106	105	104	103	103	102	102	101	101	100	98.4	94.2	36
38	98.2	97.1	96.5	95.4	95.7	94.7	94.0	93.0	93.2	92.2	91.6	90.6	38
40	91.1	90.0	89.4	88.3	88.6	87.6	86.9	85.9	86.1	85.1	84.4	83.4	40
44	78.9	77.8	77.1	76.1	76.4	75.4	74.7	73.6	73.8	72.8	72.1	71.1	44
48	68.8	67.7	67.0	66.0	66.3	65.2	64.5	63.5	63.7	62.7	62.0	60.9	48
52	60.3	59.2	58.5	57.5	57.8	56.7	56.0	55.0	55.2	54.1	53.4	52.4	52
56	53.1	52.0	51.3	50.2	50.5	49.5	48.7	47.7	47.9	46.9	46.1	45.1	56
60	46.8	45.7	45.0	44.0	44.3	43.2	42.5	41.4	41.6	40.6	39.8	38.8	60
64	41.4	40.3	39.6	38.5	38.8	37.7	37.0	35.9	36.1	35.1	34.4	33.3	64

SCC6500A-HJFJDB_4 LOAD CHART

Boom 114~159m Jib 12m B-J Angle10° SL R 13m SL CWT 200t Rear CWT 210t Carbody CWT 60t Unit: t

R	Boom (m)												R
m	114	117	120	123	126	129	132	135	138	141	144	147	m
16	162	157	151	145									16
17	162	157	151	145	135	130*	125*	119*					17
18	162	157	151	145	135	130	125	119	113*	108*	102*	96.9*	18
19	162	157	151	145	135	130	125	119	113	108*	102*	96.5*	19
20	162	157	151	145	135	130	125	119	113	108	101	96.5*	20
22	160	156	151	145	135	130	125	119	112	107	101	96.2	22
24	157	155	151	145	135	130	125	119	112	106	101	95.9	24
26	152	152	149	145	135	130	124	118	111	105	100	95.7	26
28	146	147	146	144	135	130	124	118	111	105	99.9	95.5	28
30	141	142	142	142	134	129	123	118	110	105	99.6	95.2	30
32	136	137	138	139	134	129	123	117	109	105	99.2	94.9	32
34	130	131	132	134	133	128	122	116	108	104	98.9	94.7	34
36	125	126	125	124	124	123	121	115	107	103	98.4	94.2	36
38	118	117	116	115	115	114	114	113	106	102	97.8	93.2	38
40	109	108	108	107	107	106	105	104	105	101	96.8	91.5	40
44	95.9	94.9	94.2	93.2	93.5	92.4	91.7	90.7	90.9	89.9	89.2	88.2	44
48	84.4	83.3	82.6	81.6	81.9	80.8	80.1	79.1	79.3	78.3	77.6	76.6	48
52	74.6	73.6	72.9	71.8	72.1	71.1	70.4	69.3	69.5	68.5	67.8	66.8	52
56	66.3	65.3	64.6	63.5	63.8	62.7	62.0	61.0	61.2	60.2	59.4	58.4	56
60	59.2	58.1	57.4	56.3	56.6	55.6	54.8	53.8	54.0	52.9	52.2	51.2	60
64	52.9	51.8	51.1	50.1	50.4	49.3	48.6	47.5	47.7	46.7	45.9	44.9	64

SCC6500A-HJFJDB_4 LOAD CHART

Boom 114~159m Jib 12m B-J Angle10° SL R 13m SL CWT 200t Rear CWT 210t Carbody CWT 60t Unit: t

R	Boom (m)												R
m	114	117	120	123	126	129	132	135	138	141	144	147	m
68	47.4	46.3	45.6	44.6	44.9	43.8	43.1	42.0	42.2	41.1	40.4	39.4	68
72	42.6	41.5	40.8	39.7	40.0	38.9	38.2	37.1	37.3	36.3	35.5	34.5	72
76	38.2	37.1	36.4	35.3	35.6	34.5	33.8	32.7	32.9	31.9	31.1	30.1	76
80	34.3	33.2	32.5	31.4	31.7	30.6	29.9	28.8	29.0	28.0	27.2	26.1	80
84	30.8	29.7	28.9	27.8	28.2	27.1	26.3	25.3	25.5	24.4	23.7	22.6	84
88	27.5	26.4	25.7	24.6	24.9	23.9	23.1	22.0	22.2	21.2	20.4	19.4	88
92	24.6	23.5	22.8	21.7	22.0	20.9	20.2	19.1	19.3	18.2	17.5	16.4	92
96	21.9	20.8	20.1	19.0	19.3	18.2	17.5	16.4	16.6	15.6	14.8	13.7	96
100	19.4	18.3	17.6	16.5	16.8	15.8	15.0	13.9	14.1	13.1	12.3	11.3	100
104	17.1	16.1	15.3	14.2	14.6	13.5	12.7	11.6	11.9	10.8	10.0	9.0	104
108	15.0	13.9	13.2	12.1	12.4	11.4	10.6	9.5	9.7	8.7	7.9	6.9	108
112	13.0	11.9	11.2	10.1	10.5	9.4	8.6	7.6	7.8	6.7	6.0		112
116			9.4	8.3	8.6	7.5	6.8	5.7	6.0				116
120				6.6	6.9	5.8	5.1						120

SCC6500A-HJFJDB_4 LOAD CHART

Boom 114~159m Jib 12m B-J Angle10° SL R 13m SL CWT 250t Rear CWT 210t Carbody CWT 60t Unit: t

R	Boom (m)												R
m	114	117	120	123	126	129	132	135	138	141	144	147	m
16	162*	157*	151*	145*									16
17	162*	157*	151*	145*	135*	130*	125*	119*					17
18	162*	157*	151*	145*	135*	130*	125*	119*	113*	108*	102*	96.9*	18
19	162	157	151*	145*	135*	130*	125*	119*	113*	108*	102*	96.5*	19
20	162	157	151	145	135*	130*	125*	119*	113*	108*	101*	96.5*	20
22	160	156	151	145	135	130	125	119*	112*	107*	101*	96.2*	22
24	157	155	151	145	135	130	125	119	112	106*	101*	95.9*	24
26	152	152	149	145	135	130	124	118	111	105	100	95.7	26
28	146	147	146	144	135	130	124	118	111	105	99.9	95.5	28
30	141	142	142	142	134	129	123	118	110	105	99.6	95.2	30
32	136	137	138	139	134	129	123	117	109	105	99.2	94.9	32
34	130	131	132	135	133	128	122	116	108	104	98.9	94.7	34
36	125	126	127	130	131	127	121	115	107	103	98.4	94.2	36
38	120	121	123	125	127	125	120	114	106	102	97.8	93.2	38
40	116	117	119	121	122	122	118	113	105	101	96.8	91.5	40
44	110	111	111	110	110	109	108	107	104	99.4	95.1	88.8	44
48	99.9	98.9	98.2	97.2	97.5	96.4	95.7	94.7	94.9	93.9	93.2	86.5	48
52	89.0	87.9	87.2	86.2	86.5	85.4	84.7	83.7	83.9	82.9	82.1	81.1	52
56	79.6	78.5	77.8	76.8	77.1	76.0	75.3	74.3	74.5	73.4	72.7	71.7	56
60	71.5	70.5	69.7	68.7	69.0	67.9	67.2	66.2	66.4	65.3	64.6	63.6	60
64	64.5	63.4	62.7	61.6	61.9	60.9	60.1	59.1	59.3	58.2	57.5	56.5	64

SCC6500A-HJFJDB_4 LOAD CHART

Boom 114~159m Jib 12m B-J Angle10° SL R 13m SL CWT 250t Rear CWT 210t Carbody CWT 60t Unit: t

R	Boom (m)												R
m	114	117	120	123	126	129	132	135	138	141	144	147	m
68	58.3	57.2	56.5	55.4	55.7	54.7	53.9	52.9	53.1	52.0	51.3	50.2	68
72	52.8	51.7	51.0	49.9	50.2	49.1	48.4	47.3	47.6	46.5	45.8	44.7	72
76	47.9	46.8	46.1	45.0	45.3	44.2	43.5	42.4	42.6	41.6	40.8	39.8	76
80	43.5	42.4	41.7	40.6	40.9	39.8	39.1	38.0	38.2	37.2	36.4	35.3	80
84	39.5	38.4	37.7	36.6	36.9	35.8	35.1	34.0	34.2	33.2	32.4	31.3	84
88	35.9	34.8	34.1	33.0	33.3	32.2	31.5	30.4	30.6	29.5	28.8	27.7	88
92	32.6	31.5	30.7	29.7	30.0	28.9	28.1	27.1	27.3	26.2	25.5	24.4	92
96	29.5	28.4	27.7	26.6	26.9	25.9	25.1	24.0	24.2	23.2	22.4	21.4	96
100	26.7	25.6	24.9	23.8	24.2	23.1	22.3	21.2	21.5	20.4	19.6	18.6	100
104	24.2	23.1	22.3	21.3	21.6	20.5	19.8	18.7	18.9	17.8	17.1	16.0	104
108	21.8	20.7	20.0	18.9	19.2	18.1	17.4	16.3	16.5	15.4	14.7	13.6	108
112	19.5	18.4	17.7	16.6	17.0	15.9	15.2	14.1	14.3	13.2	12.5	11.4	112
116			15.7	14.6	14.9	13.8	13.1	12.0	12.2	11.2	10.4	9.3	116
120				12.6	13.0	11.9	11.2	10.1	10.3	9.2	8.5	7.4	120
124						10.1	9.3	8.3	8.5	7.4	6.7	5.6	124
128							7.6	6.6	6.8	5.7	5.0		128
132									5.2				132

SCC6500A-HJFJDB_4 LOAD CHART

Boom 114~159m Jib 12m B-J Angle10° SL R 13m SL CWT 310t Rear CWT 210t Carbody CWT 60t Unit: t

R	Boom (m)												R
m	114	117	120	123	126	129	132	135	138	141	144	147	m
16	162*	157*	151*	145*									16
17	162*	157*	151*	145*	135*	130*	125*	119*					17
18	162*	157*	151*	145*	135*	130*	125*	119*	113*	108*	102*	96.9*	18
19	162*	157*	151*	145*	135*	130*	125*	119*	113*	108*	102*	96.5*	19
20	162*	157*	151*	145*	135*	130*	125*	119*	113*	108*	101*	96.5*	20
22	160*	156*	151*	145*	135*	130*	125*	119*	112*	107*	101*	96.2*	22
24	157	155	151	145*	135*	130*	125*	119*	112*	106*	101*	95.9*	24
26	152	152	149	145	135	130*	124*	118*	111*	105*	100*	95.7*	26
28	146	147	146	144	135	130	124	118*	111*	105*	99.9*	95.5*	28
30	141	142	142	142	134	129	123	118	110	105*	99.6*	95.2*	30
32	136	137	138	139	134	129	123	117	109	105	99.2	94.9	32
34	130	131	132	135	133	128	122	116	108	104	98.9	94.7	34
36	125	126	127	130	131	127	121	115	107	103	98.4	94.2	36
38	120	121	123	125	127	125	120	114	106	102	97.8	93.2	38
40	116	117	119	121	122	122	118	113	105	101	96.8	91.5	40
44	110	111	113	114	115	115	113	110	104	99.4	95.1	88.8	44
48	105	106	107	108	109	111	109	106	102	97.4	93.3	86.5	48
52	100	101	102	103	103	102	101	100	99.5	95.4	91.3	85.1	52
56	95.1	94.5	93.8	92.7	93.0	92.0	91.3	90.2	90.4	89.4	88.7	83.3	56
60	86.3	85.3	84.6	83.5	83.8	82.8	82.1	81.0	81.2	80.2	79.5	78.4	60
64	78.3	77.3	76.6	75.5	75.8	74.7	74.0	73.0	73.2	72.1	71.4	70.4	64

SCC6500A-HJFJDB_4 LOAD CHART

Boom 114~159m Jib 12m B-J Angle10° SL R 15m SL CWT 50t Rear CWT 210t Carbody CWT 60t Unit: t

R	Boom (m)												R
m	114	117	120	123	126	129	132	135	138	141	144	147	m
16	162	157	151	145									16
17	162	157	151	145	135	130	125	119					17
18	162	157	151	145	135	130	125	119	113	108	102	96.9	18
19	162	157	151	145	135	130	125	119	113	108	102	96.5	19
20	156	153	151	145	135	130	125	119	113	108	101	96.5	20
22	140	139	138	135	134	130	125	119	112	107	101	96.2	22
24	124	123	122	121	122	120	118	116	112	106	101	95.9	24
26	111	110	109	108	108	107	107	106	105	103	100	95.7	26
28	99.8	98.8	98.2	97.2	97.5	96.5	95.9	94.9	95.1	94.1	93.3	91.3	28
30	90.1	89.1	88.5	87.5	87.7	86.8	86.1	85.1	85.3	84.3	83.7	82.7	30
32	81.7	80.7	80.0	79.0	79.3	78.3	77.6	76.6	76.8	75.9	75.2	74.2	32
34	74.3	73.3	72.6	71.6	71.9	70.9	70.2	69.2	69.4	68.4	67.7	66.7	34
36	67.8	66.8	66.1	65.1	65.4	64.3	63.7	62.7	62.8	61.8	61.1	60.2	36
38	62.0	61.0	60.3	59.3	59.5	58.5	57.8	56.8	57.0	56.0	55.3	54.3	38
40	56.8	55.8	55.1	54.0	54.3	53.3	52.6	51.6	51.8	50.8	50.0	49.0	40
44	47.9	46.8	46.1	45.1	45.4	44.3	43.6	42.6	42.8	41.8	41.0	40.0	44
48	40.5	39.4	38.7	37.7	37.9	36.9	36.2	35.1	35.3	34.3	33.6	32.6	48
52	34.3	33.2	32.5	31.4	31.7	30.7	29.9	28.9	29.1	28.0	27.3	26.3	52
56	29.0	27.9	27.2	26.1	26.4	25.3	24.6	23.5	23.7	22.7	22.0	20.9	56
60	24.4	23.3	22.6	21.5	21.8	20.7	20.0	18.9	19.1	18.1	17.3	16.3	60
64	20.4	19.3	18.6	17.5	17.8	16.7	16.0	14.9	15.1	14.1	13.3	12.3	64

SCC6500A-HJFJDB_4 LOAD CHART

Boom 114~159m Jib 12m B-J Angle10° SL R 15m SL CWT 100t Rear CWT 210t Carbody CWT 60t Unit: t

R	Boom (m)												R
m	114	117	120	123	126	129	132	135	138	141	144	147	m
16	162	157	151	145									16
17	162	157	151	145	135	130	125	119					17
18	162	157	151	145	135	130	125	119	113	108	102	96.9	18
19	162	157	151	145	135	130	125	119	113	108	102	96.5	19
20	162	157	151	145	135	130	125	119	113	108	101	96.5	20
22	160	156	151	145	135	130	125	119	112	107	101	96.2	22
24	157	155	151	145	135	130	125	119	112	106	101	95.9	24
26	145	144	143	142	135	130	124	118	111	105	100	95.7	26
28	131	130	129	128	128	127	124	118	111	105	99.9	95.5	28
30	119	118	117	116	116	115	115	114	110	105	99.6	95.2	30
32	108	107	107	106	106	105	104	103	104	103	99.2	94.9	32
34	99.8	98.8	98.1	97.1	97.4	96.4	95.7	94.7	94.9	93.9	93.3	92.3	34
36	91.8	90.8	90.1	89.1	89.4	88.4	87.7	86.7	86.9	85.9	85.2	84.2	36
38	84.7	83.7	83.0	81.9	82.2	81.2	80.5	79.5	79.7	78.7	78.0	77.0	38
40	78.3	77.3	76.6	75.5	75.8	74.8	74.1	73.1	73.3	72.3	71.6	70.6	40
44	67.3	66.3	65.6	64.5	64.8	63.8	63.1	62.1	62.3	61.2	60.5	59.5	44
48	58.3	57.2	56.5	55.4	55.7	54.7	54.0	52.9	53.1	52.1	51.4	50.4	48
52	50.6	49.6	48.9	47.8	48.1	47.0	46.3	45.3	45.5	44.4	43.7	42.7	52
56	44.1	43.0	42.3	41.3	41.5	40.5	39.8	38.7	38.9	37.9	37.1	36.1	56
60	38.5	37.4	36.7	35.6	35.9	34.8	34.1	33.1	33.2	32.2	31.5	30.4	60
64	33.6	32.5	31.8	30.7	31.0	29.9	29.2	28.1	28.3	27.3	26.5	25.5	64

SCC6500A-HJFJDB_4 LOAD CHART

Boom 114~159m Jib 12m B-J Angle10° SL R 15m SL CWT 150t Rear CWT 210t Carbody CWT 60t Unit: t

R	Boom (m)												R
m	114	117	120	123	126	129	132	135	138	141	144	147	m
16	162	157	151	145									16
17	162	157	151	145	135	130	125	119					17
18	162	157	151	145	135	130	125	119	113	108	102	96.9	18
19	162	157	151	145	135	130	125	119	113	108	102	96.5	19
20	162	157	151	145	135	130	125	119	113	108	101	96.5	20
22	160	156	151	145	135	130	125	119	112	107	101	96.2	22
24	157	155	151	145	135	130	125	119	112	106	101	95.9	24
26	152	152	149	145	135	130	124	118	111	105	100	95.7	26
28	146	147	146	144	135	130	124	118	111	105	99.9	95.5	28
30	141	142	142	142	134	129	123	118	110	105	99.6	95.2	30
32	136	135	134	133	133	129	123	117	109	105	99.2	94.9	32
34	125	124	123	122	122	121	121	116	108	104	98.9	94.7	34
36	115	114	114	113	113	112	111	110	107	103	98.4	94.2	36
38	107	106	105	104	104	103	103	102	102	101	97.8	93.2	38
40	99.8	98.8	98.1	97.0	97.3	96.3	95.6	94.6	94.8	93.8	93.1	91.5	40
44	86.8	85.7	85.1	84.0	84.3	83.3	82.6	81.5	81.7	80.7	80.0	79.0	44
48	76.0	75.0	74.3	73.2	73.5	72.5	71.8	70.7	70.9	69.9	69.2	68.2	48
52	67.0	65.9	65.2	64.1	64.4	63.4	62.7	61.6	61.8	60.8	60.1	59.0	52
56	59.3	58.2	57.5	56.4	56.7	55.6	54.9	53.9	54.1	53.0	52.3	51.3	56
60	52.6	51.5	50.8	49.7	50.0	49.0	48.2	47.2	47.4	46.3	45.6	44.5	60
64	46.8	45.7	45.0	43.9	44.2	43.1	42.4	41.3	41.5	40.5	39.7	38.7	64

SCC6500A-HJFJDB_4 LOAD CHART

Boom 114~159m Jib 12m B-J Angle10° SL R 15m SL CWT 200t Rear CWT 210t Carbody CWT 60t Unit: t

R	Boom (m)												R
m	114	117	120	123	126	129	132	135	138	141	144	147	m
16	162*	157*	151*	145*									16
17	162	157*	151*	145*	135*	130*	125*	119*					17
18	162	157	151	145*	135*	130*	125*	119*	113*	108*	102*	96.9*	18
19	162	157	151	145	135*	130*	125*	119*	113*	108*	102*	96.5*	19
20	162	157	151	145	135	130	125*	119*	113*	108*	101*	96.5*	20
22	160	156	151	145	135	130	125	119	112	107*	101*	96.2*	22
24	157	155	151	145	135	130	125	119	112	106	101	95.9	24
26	152	152	149	145	135	130	124	118	111	105	100	95.7	26
28	146	147	146	144	135	130	124	118	111	105	99.9	95.5	28
30	141	142	142	142	134	129	123	118	110	105	99.6	95.2	30
32	136	137	138	139	134	129	123	117	109	105	99.2	94.9	32
34	130	131	132	135	133	128	122	116	108	104	98.9	94.7	34
36	125	126	127	130	131	127	121	115	107	103	98.4	94.2	36
38	120	121	123	125	127	125	120	114	106	102	97.8	93.2	38
40	116	117	119	118	118	117	117	113	105	101	96.8	91.5	40
44	106	105	104	103	103	102	102	101	101	99.4	95.1	88.8	44
48	93.8	92.7	92.1	91.0	91.3	90.3	89.5	88.5	88.7	87.7	87.0	86.0	48
52	83.3	82.3	81.6	80.5	80.8	79.8	79.0	78.0	78.2	77.2	76.4	75.4	52
56	74.4	73.3	72.6	71.6	71.9	70.8	70.1	69.0	69.2	68.2	67.5	66.4	56
60	66.7	65.6	64.9	63.8	64.1	63.1	62.3	61.3	61.5	60.4	59.7	58.7	60
64	60.0	58.9	58.2	57.1	57.4	56.3	55.6	54.5	54.7	53.7	53.0	51.9	64

SCC6500A-HJFJDB_4 LOAD CHART

Boom 114~159m Jib 12m B-J Angle10° SL R 15m SL CWT 200t Rear CWT 210t Carbody CWT 60t Unit: t

R	Boom (m)												R
m	114	117	120	123	126	129	132	135	138	141	144	147	m
68	54.0	53.0	52.2	51.2	51.5	50.4	49.7	48.6	48.8	47.8	47.0	46.0	68
72	48.8	47.7	47.0	45.9	46.2	45.1	44.4	43.3	43.5	42.5	41.7	40.7	72
76	44.1	43.0	42.3	41.2	41.5	40.4	39.7	38.6	38.8	37.8	37.0	36.0	76
80	39.9	38.8	38.1	37.0	37.3	36.2	35.5	34.4	34.6	33.6	32.8	31.7	80
84	36.1	35.0	34.3	33.2	33.5	32.4	31.7	30.6	30.8	29.7	29.0	27.9	84
88	32.6	31.5	30.8	29.7	30.0	29.0	28.2	27.1	27.3	26.3	25.5	24.5	88
92	29.5	28.4	27.7	26.6	26.9	25.8	25.1	24.0	24.2	23.1	22.4	21.3	92
96	26.6	25.5	24.8	23.7	24.0	22.9	22.2	21.1	21.3	20.2	19.5	18.4	96
100	23.9	22.8	22.1	21.0	21.3	20.2	19.5	18.4	18.6	17.6	16.8	15.7	100
104	21.5	20.4	19.6	18.5	18.9	17.8	17.0	16.0	16.2	15.1	14.3	13.3	104
108	19.2	18.1	17.4	16.3	16.6	15.5	14.8	13.7	13.9	12.8	12.1	11.0	108
112	17.0	16.0	15.2	14.1	14.5	13.4	12.6	11.6	11.8	10.7	10.0	8.9	112
116			13.2	12.2	12.5	11.4	10.7	9.6	9.8	8.7	8.0	6.9	116
120				10.3	10.6	9.6	8.8	7.7	8.0	6.9	6.1	5.1	120
124						7.8	7.1	6.0	6.2	5.2			124
128							5.5						128

SCC6500A-HJFJDB_4 LOAD CHART

Boom 114~159m Jib 12m B-J Angle10° SL R 15m SL CWT 250t Rear CWT 210t Carbody CWT 60t Unit: t

R	Boom (m)												R
m	114	117	120	123	126	129	132	135	138	141	144	147	m
16	162*	157*	151*	145*									16
17	162*	157*	151*	145*	135*	130*	125*	119*					17
18	162*	157*	151*	145*	135*	130*	125*	119*	113*	108*	102*	96.9*	18
19	162*	157*	151*	145*	135*	130*	125*	119*	113*	108*	102*	96.5*	19
20	162*	157*	151*	145*	135*	130*	125*	119*	113*	108*	101*	96.5*	20
22	160	156	151*	145*	135*	130*	125*	119*	112*	107*	101*	96.2*	22
24	157	155	151	145	135	130*	125*	119*	112*	106*	101*	95.9*	24
26	152	152	149	145	135	130	124	118	111*	105*	100*	95.7*	26
28	146	147	146	144	135	130	124	118	111	105*	99.9*	95.5*	28
30	141	142	142	142	134	129	123	118	110	105	99.6	95.2	30
32	136	137	138	139	134	129	123	117	109	105	99.2	94.9	32
34	130	131	132	135	133	128	122	116	108	104	98.9	94.7	34
36	125	126	127	130	131	127	121	115	107	103	98.4	94.2	36
38	120	121	123	125	127	125	120	114	106	102	97.8	93.2	38
40	116	117	119	121	122	122	118	113	105	101	96.8	91.5	40
44	110	111	113	114	115	115	113	110	104	99.4	95.1	88.8	44
48	105	106	107	108	109	108	107	106	102	97.4	93.3	86.5	48
52	99.7	98.6	97.9	96.9	97.2	96.1	95.4	94.4	94.6	93.5	91.3	85.1	52
56	89.5	88.5	87.8	86.7	87.0	86.0	85.2	84.2	84.4	83.4	82.6	81.6	56
60	80.8	79.7	79.0	77.9	78.2	77.2	76.5	75.4	75.6	74.6	73.8	72.8	60
64	73.2	72.1	71.4	70.3	70.6	69.5	68.8	67.7	67.9	66.9	66.2	65.1	64

SCC6500A-HJFJDB_4 LOAD CHART

Boom 114~159m Jib 12m B-J Angle10° SL R 15m SL CWT 310t Rear CWT 210t Carbody CWT 60t Unit: t

R	Boom (m)												R
m	114	117	120	123	126	129	132	135	138	141	144	147	m
16	162*	157*	151*	145*									16
17	162*	157*	151*	145*	135*	130*	125*	119*					17
18	162*	157*	151*	145*	135*	130*	125*	119*	113*	108*	102*	96.9*	18
19	162*	157*	151*	145*	135*	130*	125*	119*	113*	108*	102*	96.5*	19
20	162*	157*	151*	145*	135*	130*	125*	119*	113*	108*	101*	96.5*	20
22	160*	156*	151*	145*	135*	130*	125*	119*	112*	107*	101*	96.2*	22
24	157*	155*	151*	145*	135*	130*	125*	119*	112*	106*	101*	95.9*	24
26	152*	152*	149*	145*	135*	130*	124*	118*	111*	105*	100*	95.7*	26
28	146*	147*	146*	144*	135*	130*	124*	118*	111*	105*	99.9*	95.5*	28
30	141	142	142	142	134	129*	123*	118*	110*	105*	99.6*	95.2*	30
32	136	137	138	139	134	129	123	117*	109*	105*	99.2*	94.9*	32
34	130	131	132	135	133	128	122	116	108*	104*	98.9*	94.7*	34
36	125	126	127	130	131	127	121	115	107	103	98.4*	94.2*	36
38	120	121	123	125	127	125	120	114	106	102	97.8	93.2	38
40	116	117	119	121	122	122	118	113	105	101	96.8	91.5	40
44	110	111	113	114	115	115	113	110	104	99.4	95.1	88.8	44
48	105	106	107	108	109	111	109	106	102	97.4	93.3	86.5	48
52	100	101	102	103	104	106	105	102	99.5	95.4	91.3	85.1	52
56	95.1	96.8	97.6	99.1	99.9	101	102	99.7	97.5	93.9	88.9	83.3	56
60	91.1	92.8	93.6	94.9	95.2	94.1	93.4	92.3	92.4	91.3	86.3	81.5	60
64	88.0	87.9	87.2	86.1	86.4	85.4	84.6	83.6	83.8	82.8	82.0	79.9	64

SCC6500A-HJFJDB_4 LOAD CHART

Boom 114~159m Jib 12m B-J Angle10° SL R 17m SL CWT 50t Rear CWT 210t Carbody CWT 60t Unit: t

R	Boom (m)												R
m	114	117	120	123	126	129	132	135	138	141	144	147	m
16	162	157	151	145									16
17	162	157	151	145	135	130	125	119					17
18	162	157	151	145	135	130	125	119	113	108	102	96.9	18
19	162	157	151	145	135	130	125	119	113	108	102	96.5	19
20	162	157	151	145	135	130	125	119	113	108	101	96.5	20
22	146	145	143	140	135	130	125	119	112	107	101	96.2	22
24	130	129	128	127	127	125	123	119	112	106	101	95.9	24
26	116	115	114	113	114	113	112	111	110	105	100	95.7	26
28	104	103	103	102	102	101	100	99.8	100	99.1	97.4	95.5	28
30	94.7	93.7	93.1	92.1	92.4	91.4	90.7	89.7	89.9	88.9	88.3	87.3	30
32	86.0	85.0	84.4	83.3	83.6	82.6	81.9	81.0	81.1	80.2	79.5	78.5	32
34	78.4	77.4	76.7	75.7	76.0	74.9	74.3	73.3	73.4	72.5	71.8	70.8	34
36	71.6	70.6	69.9	68.9	69.2	68.2	67.5	66.5	66.6	65.7	65.0	64.0	36
38	65.6	64.6	63.9	62.9	63.1	62.1	61.4	60.4	60.6	59.6	58.9	57.9	38
40	60.2	59.2	58.5	57.5	57.7	56.7	56.0	55.0	55.2	54.2	53.5	52.5	40
44	51.0	50.0	49.3	48.2	48.5	47.4	46.7	45.7	45.9	44.9	44.1	43.1	44
48	43.4	42.3	41.6	40.5	40.8	39.8	39.0	38.0	38.2	37.2	36.4	35.4	48
52	36.9	35.8	35.1	34.1	34.3	33.3	32.6	31.5	31.7	30.7	29.9	28.9	52
56	31.4	30.3	29.6	28.6	28.8	27.8	27.0	26.0	26.2	25.1	24.4	23.4	56
60	26.7	25.6	24.9	23.8	24.1	23.0	22.3	21.2	21.4	20.4	19.6	18.6	60
64	22.5	21.4	20.7	19.6	19.9	18.9	18.1	17.1	17.2	16.2	15.4	14.4	64

SCC6500A-HJFJDB_4 LOAD CHART

Boom 114~159m Jib 12m B-J Angle10° SL R 17m SL CWT 100t Rear CWT 210t Carbody CWT 60t Unit: t

R	Boom (m)												R
m	114	117	120	123	126	129	132	135	138	141	144	147	m
16	162	157	151	145									16
17	162	157	151	145	135	130	125	119					17
18	162	157	151	145	135	130	125	119	113	108	102	96.9	18
19	162	157	151	145	135	130	125	119	113	108	102	96.5	19
20	162	157	151	145	135	130	125	119	113	108	101	96.5	20
22	160	156	151	145	135	130	125	119	112	107	101	96.2	22
24	157	155	151	145	135	130	125	119	112	106	101	95.9	24
26	152	152	149	145	135	130	124	118	111	105	100	95.7	26
28	140	139	138	137	135	130	124	118	111	105	99.9	95.5	28
30	127	126	125	124	125	124	123	118	110	105	99.6	95.2	30
32	116	115	114	113	114	113	112	111	109	105	99.2	94.9	32
34	107	106	105	104	104	103	102	101	102	101	98.9	94.7	34
36	98.6	97.6	96.9	95.9	96.2	95.1	94.5	93.4	93.6	92.6	91.9	91.0	36
38	91.1	90.1	89.4	88.4	88.6	87.6	86.9	85.9	86.1	85.1	84.4	83.4	38
40	84.4	83.4	82.7	81.6	81.9	80.9	80.2	79.2	79.3	78.3	77.6	76.6	40
44	72.9	71.8	71.1	70.1	70.3	69.3	68.6	67.6	67.8	66.7	66.0	65.0	44
48	63.3	62.3	61.6	60.5	60.8	59.7	59.0	58.0	58.2	57.1	56.4	55.4	48
52	55.3	54.2	53.5	52.4	52.7	51.7	51.0	49.9	50.1	49.1	48.3	47.3	52
56	48.4	47.4	46.6	45.6	45.9	44.8	44.1	43.0	43.2	42.2	41.4	40.4	56
60	42.5	41.4	40.7	39.6	39.9	38.9	38.1	37.1	37.3	36.2	35.5	34.4	60
64	37.4	36.3	35.6	34.5	34.8	33.7	33.0	31.9	32.1	31.0	30.3	29.2	64

SCC6500A-HJFJDB_4 LOAD CHART

Boom 114~159m Jib 12m B-J Angle10° SL R 17m SL CWT 150t Rear CWT 210t Carbody CWT 60t Unit: t

R	Boom (m)												R
m	114	117	120	123	126	129	132	135	138	141	144	147	m
16	162	157	151	145									16
17	162	157	151	145	135	130	125*	119*					17
18	162	157	151	145	135	130	125	119	113*	108*	102*	96.9*	18
19	162	157	151	145	135	130	125	119	113	108	102*	96.5*	19
20	162	157	151	145	135	130	125	119	113	108	101	96.5	20
22	160	156	151	145	135	130	125	119	112	107	101	96.2	22
24	157	155	151	145	135	130	125	119	112	106	101	95.9	24
26	152	152	149	145	135	130	124	118	111	105	100	95.7	26
28	146	147	146	144	135	130	124	118	111	105	99.9	95.5	28
30	141	142	142	142	134	129	123	118	110	105	99.6	95.2	30
32	136	137	138	139	134	129	123	117	109	105	99.2	94.9	32
34	130	131	132	133	133	128	122	116	108	104	98.9	94.7	34
36	125	124	123	122	123	122	121	115	107	103	98.4	94.2	36
38	116	115	114	113	114	113	112	111	106	102	97.8	93.2	38
40	108	107	106	105	106	105	104	103	103	101	96.8	91.5	40
44	94.7	93.7	93.0	91.9	92.2	91.2	90.5	89.4	89.6	88.6	87.9	86.9	44
48	83.3	82.2	81.5	80.5	80.8	79.7	79.0	78.0	78.1	77.1	76.4	75.4	48
52	73.7	72.6	71.9	70.8	71.1	70.1	69.3	68.3	68.5	67.5	66.7	65.7	52
56	65.5	64.4	63.7	62.6	62.9	61.8	61.1	60.0	60.2	59.2	58.5	57.4	56
60	58.4	57.3	56.6	55.5	55.8	54.7	54.0	52.9	53.1	52.1	51.3	50.3	60
64	52.2	51.1	50.4	49.3	49.6	48.5	47.8	46.7	46.9	45.9	45.1	44.1	64

SCC6500A-HJFJDB_4 LOAD CHART

Boom 114~159m Jib 12m B-J Angle10° SL R 17m SL CWT 150t Rear CWT 210t Carbody CWT 60t Unit: t

R	Boom (m)												R
m	114	117	120	123	126	129	132	135	138	141	144	147	m
68	46.7	45.7	44.9	43.9	44.1	43.1	42.3	41.3	41.5	40.4	39.7	38.6	68
72	41.9	40.8	40.1	39.0	39.3	38.2	37.5	36.4	36.6	35.6	34.8	33.8	72
76	37.6	36.5	35.8	34.7	35.0	33.9	33.2	32.1	32.3	31.2	30.5	29.4	76
80	33.7	32.6	31.9	30.8	31.1	30.0	29.3	28.2	28.4	27.4	26.6	25.5	80
84	30.2	29.1	28.4	27.3	27.6	26.5	25.8	24.7	24.9	23.9	23.1	22.0	84
88	27.1	26.0	25.2	24.1	24.4	23.4	22.6	21.5	21.7	20.7	19.9	18.8	88
92	24.2	23.1	22.3	21.2	21.5	20.4	19.7	18.6	18.8	17.8	17.0	15.9	92
96	21.5	20.4	19.7	18.6	18.9	17.8	17.0	16.0	16.2	15.1	14.3	13.3	96
100	19.0	17.9	17.2	16.1	16.4	15.3	14.6	13.5	13.7	12.6	11.9	10.8	100
104	16.8	15.7	14.9	13.8	14.2	13.1	12.3	11.2	11.5	10.4	9.6	8.5	104
108	14.7	13.6	12.8	11.7	12.1	11.0	10.2	9.1	9.4	8.3	7.5	6.5	108
112	12.7	11.6	10.9	9.8	10.1	9.0	8.3	7.2	7.4	6.3	5.6		112
116			9.1	8.0	8.3	7.2	6.5	5.4	5.6				116
120				6.3	6.6	5.5							120

SCC6500A-HJFJDB_4 LOAD CHART

Boom 114~159m Jib 12m B-J Angle10° SL R 17m SL CWT 200t Rear CWT 210t Carbody CWT 60t Unit: t

R	Boom (m)												R
m	114	117	120	123	126	129	132	135	138	141	144	147	m
16	162*	157*	151*	145*									16
17	162*	157*	151*	145*	135*	130*	125*	119*					17
18	162*	157*	151*	145*	135*	130*	125*	119*	113*	108*	102*	96.9*	18
19	162*	157*	151*	145*	135*	130*	125*	119*	113*	108*	102*	96.5*	19
20	162	157	151*	145*	135*	130*	125*	119*	113*	108*	101*	96.5*	20
22	160	156	151	145	135	130*	125*	119*	112*	107*	101*	96.2*	22
24	157	155	151	145	135	130	125	119	112*	106*	101*	95.9*	24
26	152	152	149	145	135	130	124	118	111	105	100*	95.7*	26
28	146	147	146	144	135	130	124	118	111	105	99.9	95.5	28
30	141	142	142	142	134	129	123	118	110	105	99.6	95.2	30
32	136	137	138	139	134	129	123	117	109	105	99.2	94.9	32
34	130	131	132	135	133	128	122	116	108	104	98.9	94.7	34
36	125	126	127	130	131	127	121	115	107	103	98.4	94.2	36
38	120	121	123	125	127	125	120	114	106	102	97.8	93.2	38
40	116	117	119	121	122	122	118	113	105	101	96.8	91.5	40
44	110	111	113	113	114	113	112	110	104	99.4	95.1	88.8	44
48	103	102	101	100	100	99.7	99.0	97.9	98.1	97.1	93.3	86.5	48
52	92.0	91.0	90.3	89.2	89.5	88.4	87.7	86.7	86.9	85.8	85.1	84.1	52
56	82.5	81.4	80.7	79.6	79.9	78.9	78.1	77.1	77.3	76.2	75.5	74.5	56
60	74.2	73.1	72.4	71.3	71.6	70.6	69.9	68.8	69.0	67.9	67.2	66.2	60
64	67.0	65.9	65.2	64.1	64.4	63.4	62.6	61.6	61.8	60.7	60.0	58.9	64

SCC6500A-HJFJDB_4 LOAD CHART

Boom 114~159m Jib 12m B-J Angle10° SL R 17m SL CWT 200t Rear CWT 210t Carbody CWT 60t Unit: t

R	Boom (m)												R
m	114	117	120	123	126	129	132	135	138	141	144	147	m
68	60.7	59.6	58.9	57.8	58.1	57.0	56.3	55.2	55.4	54.4	53.6	52.6	68
72	55.1	54.0	53.2	52.2	52.5	51.4	50.6	49.6	49.8	48.7	48.0	46.9	72
76	50.0	48.9	48.2	47.1	47.4	46.4	45.6	44.5	44.7	43.7	42.9	41.9	76
80	45.5	44.4	43.7	42.6	42.9	41.8	41.1	40.0	40.2	39.2	38.4	37.3	80
84	41.5	40.4	39.6	38.5	38.8	37.8	37.0	35.9	36.1	35.1	34.3	33.3	84
88	37.8	36.7	35.9	34.8	35.1	34.1	33.3	32.2	32.4	31.4	30.6	29.5	88
92	34.4	33.3	32.5	31.4	31.8	30.7	29.9	28.8	29.1	28.0	27.2	26.2	92
96	31.3	30.2	29.4	28.3	28.7	27.6	26.8	25.7	26.0	24.9	24.1	23.1	96
100	28.4	27.3	26.6	25.5	25.8	24.7	24.0	22.9	23.1	22.0	21.3	20.2	100
104	25.8	24.7	24.0	22.9	23.2	22.1	21.3	20.3	20.5	19.4	18.6	17.6	104
108	23.3	22.2	21.5	20.4	20.7	19.7	18.9	17.8	18.0	17.0	16.2	15.1	108
112	21.0	20.0	19.2	18.1	18.5	17.4	16.6	15.6	15.8	14.7	13.9	12.9	112
116			17.1	16.0	16.4	15.3	14.5	13.4	13.7	12.6	11.8	10.8	116
120				14.0	14.4	13.3	12.6	11.5	11.7	10.6	9.9	8.8	120
124						11.4	10.7	9.6	9.9	8.8	8.0	7.0	124
128							9.0	7.9	8.1	7.0	6.3	5.2	128
132									6.5	5.4			132

SCC6500A-HJFJDB_4 LOAD CHART

Boom 114~159m Jib 12m B-J Angle10° SL R 17m SL CWT 250t Rear CWT 210t Carbody CWT 60t Unit: t

R	Boom (m)												R
m	114	117	120	123	126	129	132	135	138	141	144	147	m
16	162*	157*	151*	145*									16
17	162*	157*	151*	145*	135*	130*	125*	119*					17
18	162*	157*	151*	145*	135*	130*	125*	119*	113*	108*	102*	96.9*	18
19	162*	157*	151*	145*	135*	130*	125*	119*	113*	108*	102*	96.5*	19
20	162*	157*	151*	145*	135*	130*	125*	119*	113*	108*	101*	96.5*	20
22	160*	156*	151*	145*	135*	130*	125*	119*	112*	107*	101*	96.2*	22
24	157*	155*	151*	145*	135*	130*	125*	119*	112*	106*	101*	95.9*	24
26	152	152	149	145	135*	130*	124*	118*	111*	105*	100*	95.7*	26
28	146	147	146	144	135	130	124*	118*	111*	105*	99.9*	95.5*	28
30	141	142	142	142	134	129	123	118	110*	105*	99.6*	95.2*	30
32	136	137	138	139	134	129	123	117	109	105	99.2*	94.9*	32
34	130	131	132	135	133	128	122	116	108	104	98.9	94.7	34
36	125	126	127	130	131	127	121	115	107	103	98.4	94.2	36
38	120	121	123	125	127	125	120	114	106	102	97.8	93.2	38
40	116	117	119	121	122	122	118	113	105	101	96.8	91.5	40
44	110	111	113	114	115	115	113	110	104	99.4	95.1	88.8	44
48	105	106	107	108	109	111	109	106	102	97.4	93.3	86.5	48
52	100	101	102	103	104	106	105	102	99.5	95.4	91.3	85.1	52
56	95.1	96.8	97.6	96.6	96.9	95.9	95.2	94.1	94.3	93.3	88.9	83.3	56
60	90.1	89.0	88.3	87.2	87.5	86.4	85.7	84.7	84.8	83.8	83.1	81.5	60
64	81.8	80.8	80.0	79.0	79.3	78.2	77.5	76.4	76.6	75.6	74.8	73.8	64

SCC6500A-HJFJDB_4 LOAD CHART

Boom 114~159m Jib 12m B-J Angle10° SL R 17m SL CWT 310t Rear CWT 210t Carbody CWT 60t Unit: t

R	Boom (m)												R
m	114	117	120	123	126	129	132	135	138	141	144	147	m
16	162*	157*	151*	145*									16
17	162*	157*	151*	145*	135*	130*	125*	119*					17
18	162*	157*	151*	145*	135*	130*	125*	119*	113*	108*	102*	96.9*	18
19	162*	157*	151*	145*	135*	130*	125*	119*	113*	108*	102*	96.5*	19
20	162*	157*	151*	145*	135*	130*	125*	119*	113*	108*	101*	96.5*	20
22	160*	156*	151*	145*	135*	130*	125*	119*	112*	107*	101*	96.2*	22
24	157*	155*	151*	145*	135*	130*	125*	119*	112*	106*	101*	95.9*	24
26	152*	152*	149*	145*	135*	130*	124*	118*	111*	105*	100*	95.7*	26
28	146*	147*	146*	144*	135*	130*	124*	118*	111*	105*	99.9*	95.5*	28
30	141*	142*	142*	142*	134*	129*	123*	118*	110*	105*	99.6*	95.2*	30
32	136*	137*	138*	139*	134*	129*	123*	117*	109*	105*	99.2*	94.9*	32
34	130*	131*	132*	135	133	128*	122*	116*	108*	104*	98.9*	94.7*	34
36	125*	126	127	130	131	127	121	115*	107*	103*	98.4*	94.2*	36
38	120	121	123	125	127	125	120	114	106*	102*	97.8*	93.2*	38
40	116	117	119	121	122	122	118	113	105	101*	96.8*	91.5*	40
44	110	111	113	114	115	115	113	110	104	99.4	95.1	88.8	44
48	105	106	107	108	109	111	109	106	102	97.4	93.3	86.5	48
52	100	101	102	103	104	106	105	102	99.5	95.4	91.3	85.1	52
56	95.1	96.8	97.6	99.1	99.9	101	102	99.7	97.5	93.9	88.9	83.3	56
60	91.1	92.8	93.6	95.0	95.9	97.0	98.5	97.5	94.6	91.5	86.3	81.5	60
64	88.0	89.1	89.9	91.0	92.3	94.0	93.6	92.5	91.6	89.9	84.4	79.9	64

SCC6500A-HJFJDB_4 LOAD CHART

Boom 114~159m Jib 12m B-J Angle10° SL R 19m SL CWT 0t Rear CWT 210t Carbody CWT 60t Unit: t

R	Boom (m)											R	
m	114	117	120	123	126	129	132	135	138	141	144	147	m
68	5.5												68

SCC6500A-HJFJDB_4 LOAD CHART

Boom 114~159m Jib 12m B-J Angle10° SL R 19m SL CWT 50t Rear CWT 210t Carbody CWT 60t Unit: t

R	Boom (m)												R
m	114	117	120	123	126	129	132	135	138	141	144	147	m
16	162	157	151	145									16
17	162	157	151	145	135	130	125	119					17
18	162	157	151	145	135	130	125	119	113	108	102	96.9	18
19	162	157	151	145	135	130	125	119	113	108	102	96.5	19
20	162	157	151	145	135	130	125	119	113	108	101	96.5	20
22	153	150	148	145	135	130	125	119	112	107	101	96.2	22
24	136	135	134	133	132	130	125	119	112	106	101	95.9	24
26	121	120	120	119	119	118	117	115	111	105	100	95.7	26
28	109	108	108	107	107	106	105	104	105	103	99.9	95.5	28
30	99.4	98.4	97.7	96.7	97.0	96.0	95.3	94.4	94.5	93.6	92.9	91.9	30
32	90.4	89.4	88.7	87.7	87.9	86.9	86.3	85.3	85.4	84.5	83.8	82.8	32
34	82.5	81.5	80.8	79.8	80.0	79.0	78.3	77.3	77.5	76.5	75.8	74.8	34
36	75.5	74.5	73.8	72.7	73.0	72.0	71.3	70.3	70.5	69.5	68.8	67.8	36
38	69.3	68.2	67.5	66.5	66.8	65.8	65.1	64.0	64.2	63.2	62.5	61.5	38
40	63.7	62.7	62.0	60.9	61.2	60.2	59.5	58.4	58.6	57.6	56.9	55.9	40
44	54.1	53.1	52.4	51.3	51.6	50.6	49.9	48.8	49.0	48.0	47.3	46.2	44
48	46.2	45.2	44.5	43.4	43.7	42.6	41.9	40.9	41.0	40.0	39.3	38.2	48
52	39.6	38.5	37.8	36.7	37.0	35.9	35.2	34.1	34.3	33.3	32.6	31.5	52
56	33.9	32.8	32.1	31.0	31.3	30.2	29.5	28.4	28.6	27.6	26.8	25.8	56
60	29.0	27.9	27.2	26.1	26.4	25.3	24.6	23.5	23.7	22.6	21.9	20.8	60
64	24.7	23.6	22.9	21.8	22.1	21.0	20.3	19.2	19.4	18.3	17.6	16.5	64

SCC6500A-HJFJDB_4 LOAD CHART

Boom 114~159m Jib 12m B-J Angle10° SL R 19m SL CWT 100t Rear CWT 210t Carbody CWT 60t Unit: t

R	Boom (m)												R
m	114	117	120	123	126	129	132	135	138	141	144	147	m
16	162	157	151	145									16
17	162	157	151	145	135	130	125	119					17
18	162	157	151	145	135	130	125	119	113	108	102	96.9	18
19	162	157	151	145	135	130	125	119	113	108	102	96.5	19
20	162	157	151	145	135	130	125	119	113	108	101	96.5	20
22	160	156	151	145	135	130	125	119	112	107	101	96.2	22
24	157	155	151	145	135	130	125	119	112	106	101	95.9	24
26	152	152	149	145	135	130	124	118	111	105	100	95.7	26
28	146	147	146	144	135	130	124	118	111	105	99.9	95.5	28
30	135	134	134	133	133	129	123	118	110	105	99.6	95.2	30
32	124	123	122	121	121	120	120	117	109	105	99.2	94.9	32
34	114	113	112	111	111	110	110	109	108	104	98.9	94.7	34
36	105	104	103	102	102	101	101	100	100	99.4	98.4	94.2	36
38	97.5	96.5	95.8	94.8	95.1	94.0	93.3	92.3	92.5	91.5	90.8	89.8	38
40	90.5	89.5	88.8	87.7	88.0	87.0	86.3	85.2	85.4	84.4	83.7	82.7	40
44	78.4	77.3	76.6	75.6	75.9	74.8	74.1	73.1	73.3	72.2	71.5	70.5	44
48	68.4	67.3	66.6	65.6	65.8	64.8	64.1	63.0	63.2	62.2	61.5	60.4	48
52	60.0	58.9	58.2	57.1	57.4	56.3	55.6	54.6	54.7	53.7	53.0	51.9	52
56	52.8	51.7	51.0	49.9	50.2	49.1	48.4	47.3	47.5	46.5	45.7	44.7	56
60	46.6	45.5	44.8	43.7	44.0	42.9	42.2	41.1	41.3	40.2	39.5	38.4	60
64	41.1	40.1	39.3	38.2	38.5	37.5	36.7	35.7	35.9	34.8	34.1	33.0	64

SCC6500A-HJFJDB_4 LOAD CHART

Boom 114~159m Jib 12m B-J Angle10° SL R 19m SL CWT 150t Rear CWT 210t Carbody CWT 60t Unit: t

R	Boom (m)												R
m	114	117	120	123	126	129	132	135	138	141	144	147	m
16	162*	157*	151*	145*									16
17	162	157	151	145*	135*	130*	125*	119*					17
18	162	157	151	145	135*	130*	125*	119*	113*	108*	102*	96.9*	18
19	162	157	151	145	135	130	125*	119*	113*	108*	102*	96.5*	19
20	162	157	151	145	135	130	125	119	113*	108*	101*	96.5*	20
22	160	156	151	145	135	130	125	119	112	107	101	96.2*	22
24	157	155	151	145	135	130	125	119	112	106	101	95.9	24
26	152	152	149	145	135	130	124	118	111	105	100	95.7	26
28	146	147	146	144	135	130	124	118	111	105	99.9	95.5	28
30	141	142	142	142	134	129	123	118	110	105	99.6	95.2	30
32	136	137	138	139	134	129	123	117	109	105	99.2	94.9	32
34	130	131	132	135	133	128	122	116	108	104	98.9	94.7	34
36	125	126	127	130	131	127	121	115	107	103	98.4	94.2	36
38	120	121	123	123	123	122	120	114	106	102	97.8	93.2	38
40	116	116	115	114	114	113	113	112	105	101	96.8	91.5	40
44	102	101	100	99.9	100	99.1	98.4	97.4	97.5	96.5	95.1	88.8	44
48	90.5	89.5	88.8	87.7	88.0	87.0	86.2	85.2	85.4	84.4	83.6	82.6	48
52	80.4	79.3	78.6	77.5	77.8	76.7	76.0	75.0	75.2	74.1	73.4	72.3	52
56	71.7	70.6	69.9	68.8	69.1	68.0	67.3	66.2	66.4	65.4	64.6	63.6	56
60	64.2	63.1	62.4	61.3	61.6	60.5	59.8	58.7	58.9	57.8	57.1	56.1	60
64	57.6	56.5	55.8	54.7	55.0	53.9	53.2	52.1	52.3	51.3	50.5	49.5	64

SCC6500A-HJFJDB_4 LOAD CHART

Boom 114~159m Jib 12m B-J Angle10° SL R 19m SL CWT 150t Rear CWT 210t Carbody CWT 60t Unit: t

R	Boom (m)												R
m	114	117	120	123	126	129	132	135	138	141	144	147	m
68	51.8	50.8	50.0	48.9	49.2	48.2	47.4	46.3	46.5	45.5	44.7	43.7	68
72	46.7	45.6	44.9	43.8	44.1	43.0	42.3	41.2	41.4	40.4	39.6	38.6	72
76	42.2	41.1	40.3	39.3	39.5	38.5	37.7	36.6	36.8	35.8	35.0	34.0	76
80	38.1	37.0	36.2	35.1	35.4	34.4	33.6	32.5	32.7	31.7	30.9	29.8	80
84	34.4	33.3	32.5	31.4	31.7	30.6	29.9	28.8	29.0	28.0	27.2	26.1	84
88	31.0	29.9	29.2	28.1	28.4	27.3	26.5	25.4	25.6	24.6	23.8	22.8	88
92	27.9	26.8	26.1	25.0	25.3	24.2	23.5	22.4	22.6	21.5	20.7	19.7	92
96	25.1	24.0	23.3	22.2	22.5	21.4	20.6	19.5	19.8	18.7	17.9	16.8	96
100	22.5	21.4	20.7	19.6	19.9	18.8	18.0	17.0	17.2	16.1	15.3	14.3	100
104	20.1	19.0	18.3	17.2	17.5	16.4	15.6	14.6	14.8	13.7	12.9	11.9	104
108	17.9	16.8	16.0	14.9	15.3	14.2	13.4	12.3	12.6	11.5	10.7	9.6	108
112	15.8	14.7	14.0	12.9	13.2	12.1	11.4	10.3	10.5	9.4	8.7	7.6	112
116			12.0	10.9	11.3	10.2	9.4	8.4	8.6	7.5	6.7	5.7	116
120				9.1	9.5	8.4	7.6	6.6	6.8	5.7			120
124						6.7	6.0		5.1				124

SCC6500A-HJFJDB_4 LOAD CHART

Boom 114~159m Jib 12m B-J Angle10° SL R 19m SL CWT 200t Rear CWT 210t Carbody CWT 60t Unit: t

R	Boom (m)												R
m	114	117	120	123	126	129	132	135	138	141	144	147	m
16	162*	157*	151*	145*									16
17	162*	157*	151*	145*	135*	130*	125*	119*					17
18	162*	157*	151*	145*	135*	130*	125*	119*	113*	108*	102*	96.9*	18
19	162*	157*	151*	145*	135*	130*	125*	119*	113*	108*	102*	96.5*	19
20	162*	157*	151*	145*	135*	130*	125*	119*	113*	108*	101*	96.5*	20
22	160	156	151*	145*	135*	130*	125*	119*	112*	107*	101*	96.2*	22
24	157	155	151	145	135*	130*	125*	119*	112*	106*	101*	95.9*	24
26	152	152	149	145	135	130	124	118*	111*	105*	100*	95.7*	26
28	146	147	146	144	135	130	124	118	111	105*	99.9*	95.5*	28
30	141	142	142	142	134	129	123	118	110	105	99.6	95.2	30
32	136	137	138	139	134	129	123	117	109	105	99.2	94.9	32
34	130	131	132	135	133	128	122	116	108	104	98.9	94.7	34
36	125	126	127	130	131	127	121	115	107	103	98.4	94.2	36
38	120	121	123	125	127	125	120	114	106	102	97.8	93.2	38
40	116	117	119	121	122	122	118	113	105	101	96.8	91.5	40
44	110	111	113	114	115	115	113	110	104	99.4	95.1	88.8	44
48	105	106	107	108	109	109	108	106	102	97.4	93.3	86.5	48
52	100	99.7	99.0	97.9	98.2	97.1	96.4	95.4	95.6	94.5	91.3	85.1	52
56	90.5	89.5	88.8	87.7	88.0	86.9	86.2	85.1	85.3	84.3	83.6	82.5	56
60	81.7	80.7	79.9	78.9	79.2	78.1	77.4	76.3	76.5	75.4	74.7	73.7	60
64	74.1	73.0	72.3	71.2	71.5	70.4	69.7	68.6	68.8	67.7	67.0	66.0	64

SCC6500A-HJFJDB_4 LOAD CHART

Boom 114~159m Jib 12m B-J Angle10° SL R 19m SL CWT 250t Rear CWT 210t Carbody CWT 60t Unit: t

R	Boom (m)												R
m	114	117	120	123	126	129	132	135	138	141	144	147	m
16	162*	157*	151*	145*									16
17	162*	157*	151*	145*	135*	130*	125*	119*					17
18	162*	157*	151*	145*	135*	130*	125*	119*	113*	108*	102*	96.9*	18
19	162*	157*	151*	145*	135*	130*	125*	119*	113*	108*	102*	96.5*	19
20	162*	157*	151*	145*	135*	130*	125*	119*	113*	108*	101*	96.5*	20
22	160*	156*	151*	145*	135*	130*	125*	119*	112*	107*	101*	96.2*	22
24	157*	155*	151*	145*	135*	130*	125*	119*	112*	106*	101*	95.9*	24
26	152*	152*	149*	145*	135*	130*	124*	118*	111*	105*	100*	95.7*	26
28	146*	147*	146*	144*	135*	130*	124*	118*	111*	105*	99.9*	95.5*	28
30	141	142	142	142	134*	129*	123*	118*	110*	105*	99.6*	95.2*	30
32	136	137	138	139	134	129	123	117*	109*	105*	99.2*	94.9*	32
34	130	131	132	135	133	128	122	116	108*	104*	98.9*	94.7*	34
36	125	126	127	130	131	127	121	115	107	103	98.4*	94.2*	36
38	120	121	123	125	127	125	120	114	106	102	97.8	93.2	38
40	116	117	119	121	122	122	118	113	105	101	96.8	91.5	40
44	110	111	113	114	115	115	113	110	104	99.4	95.1	88.8	44
48	105	106	107	108	109	111	109	106	102	97.4	93.3	86.5	48
52	100	101	102	103	104	106	105	102	99.5	95.4	91.3	85.1	52
56	95.1	96.8	97.6	99.1	99.9	101	102	99.7	97.5	93.9	88.9	83.3	56
60	91.1	92.8	93.6	95.0	95.9	95.7	95.0	93.9	94.1	91.5	86.3	81.5	60
64	88.0	89.1	88.7	87.6	87.9	86.9	86.1	85.1	85.3	84.2	83.5	79.9	64

SCC6500A-HJFJDB_4 LOAD CHART

Boom 114~159m Jib 12m B-J Angle10° SL R 19m SL CWT 310t Rear CWT 210t Carbody CWT 60t Unit: t

R	Boom (m)												R
m	114	117	120	123	126	129	132	135	138	141	144	147	m
16	162*	157*	151*	145*									16
17	162*	157*	151*	145*	135*	130*	125*	119*					17
18	162*	157*	151*	145*	135*	130*	125*	119*	113*	108*	102*	96.9*	18
19	162*	157*	151*	145*	135*	130*	125*	119*	113*	108*	102*	96.5*	19
20	162*	157*	151*	145*	135*	130*	125*	119*	113*	108*	101*	96.5*	20
22	160*	156*	151*	145*	135*	130*	125*	119*	112*	107*	101*	96.2*	22
24	157*	155*	151*	145*	135*	130*	125*	119*	112*	106*	101*	95.9*	24
26	152*	152*	149*	145*	135*	130*	124*	118*	111*	105*	100*	95.7*	26
28	146*	147*	146*	144*	135*	130*	124*	118*	111*	105*	99.9*	95.5*	28
30	141*	142*	142*	142*	134*	129*	123*	118*	110*	105*	99.6*	95.2*	30
32	136*	137*	138*	139*	134*	129*	123*	117*	109*	105*	99.2*	94.9*	32
34	130*	131*	132*	135*	133*	128*	122*	116*	108*	104*	98.9*	94.7*	34
36	125*	126*	127*	130*	131*	127*	121*	115*	107*	103*	98.4*	94.2*	36
38	120*	121*	123*	125*	127*	125*	120*	114*	106*	102*	97.8*	93.2*	38
40	116*	117*	119*	121*	122*	122	118*	113*	105*	101*	96.8*	91.5*	40
44	110*	111	113	114	115	115	113	110	104*	99.4*	95.1*	88.8*	44
48	105	106	107	108	109	111	109	106	102	97.4	93.3	86.5*	48
52	100	101	102	103	104	106	105	102	99.5	95.4	91.3	85.1	52
56	95.1	96.8	97.6	99.1	99.9	101	102	99.7	97.5	93.9	88.9	83.3	56
60	91.1	92.8	93.6	95.0	95.9	97.0	98.5	97.5	94.6	91.5	86.3	81.5	60
64	88.0	89.1	89.9	91.0	92.3	94.0	95.5	94.2	91.6	89.9	84.4	79.9	64

SCC6500A-HJFJDB_4 LOAD CHART

Boom 114~159m Jib 12m B-J Angle10° SL R 21m SL CWT 0t Rear CWT 210t Carbody CWT 60t Unit: t

R	Boom (m)												R
m	114	117	120	123	126	129	132	135	138	141	144	147	m
16	154	151	148	145									16
17	146	143	140	138	135	130	125	119					17
18	138	135	133	130	129	126	124	119	113	108	102	96.9	18
19	128	127	126	124	122	120	118	115	113	108	102	96.5	19
20	119	118	118	117	116	114	112	110	108	106	101	96.5	20
22	104	103	102	101	101	100	100	99.1	98.1	96.0	94.2	92.1	22
24	91.5	90.5	89.9	88.9	89.2	88.2	87.6	86.6	86.8	85.8	85.2	83.5	24
26	80.9	79.9	79.3	78.3	78.5	77.6	76.9	76.0	76.1	75.2	74.5	73.6	26
28	71.9	70.9	70.3	69.3	69.5	68.6	67.9	66.9	67.1	66.1	65.4	64.5	28
30	64.2	63.2	62.5	61.5	61.8	60.8	60.1	59.1	59.3	58.3	57.6	56.7	30
32	57.5	56.5	55.8	54.8	55.1	54.1	53.4	52.4	52.6	51.6	50.9	49.9	32
34	51.7	50.6	50.0	48.9	49.2	48.2	47.5	46.5	46.6	45.7	45.0	44.0	34
36	46.5	45.4	44.8	43.7	44.0	43.0	42.3	41.3	41.4	40.4	39.7	38.7	36
38	41.9	40.8	40.1	39.1	39.4	38.3	37.6	36.6	36.8	35.8	35.1	34.0	38
40	37.7	36.7	36.0	34.9	35.2	34.2	33.5	32.4	32.6	31.6	30.9	29.9	40
44	30.6	29.6	28.9	27.8	28.1	27.0	26.3	25.3	25.5	24.4	23.7	22.7	44
48	24.8	23.7	23.0	21.9	22.2	21.1	20.4	19.4	19.5	18.5	17.8	16.7	48
52	19.8	18.7	18.0	16.9	17.2	16.2	15.4	14.4	14.5	13.5	12.8	11.7	52
56	15.6	14.5	13.8	12.7	13.0	11.9	11.2	10.1	10.3	9.2	8.5	7.5	56
60	11.9	10.8	10.1	9.0	9.3	8.2	7.5	6.4	6.6	5.6			60
64	8.7	7.7	6.9	5.8	6.1	5.0							64

SCC6500A-HJFJDB_4 LOAD CHART

Boom 114~159m Jib 12m B-J Angle10° SL R 21m SL CWT 0t Rear CWT 210t Carbody CWT 60t Unit: t

R	Boom (m)											R	
m	114	117	120	123	126	129	132	135	138	141	144	147	m
68	5.9												68

SCC6500A-HJFJDB_4 LOAD CHART

Boom 114~159m Jib 12m B-J Angle10° SL R 21m SL CWT 50t Rear CWT 210t Carbody CWT 60t Unit: t

R	Boom (m)												R
m	114	117	120	123	126	129	132	135	138	141	144	147	m
16	162	157	151	145									16
17	162	157	151	145	135	130	125	119					17
18	162	157	151	145	135	130	125	119	113	108	102	96.9	18
19	162	157	151	145	135	130	125	119	113	108	102	96.5	19
20	162	157	151	145	135	130	125	119	113	108	101	96.5	20
22	158	155	151	145	135	130	125	119	112	107	101	96.2	22
24	142	141	140	138	135	130	125	119	112	106	101	95.9	24
26	127	126	125	124	124	124	122	118	111	105	100	95.7	26
28	114	113	113	112	112	111	110	109	109	105	99.9	95.5	28
30	104	103	102	101	101	100	100	99.0	99.2	98.2	97.5	95.2	30
32	94.7	93.7	93.1	92.0	92.3	91.3	90.6	89.6	89.8	88.8	88.1	87.1	32
34	86.6	85.5	84.9	83.8	84.1	83.1	82.4	81.4	81.6	80.6	79.9	78.9	34
36	79.4	78.3	77.6	76.6	76.9	75.8	75.2	74.1	74.3	73.3	72.6	71.6	36
38	72.9	71.9	71.2	70.2	70.4	69.4	68.7	67.7	67.9	66.8	66.1	65.1	38
40	67.2	66.1	65.4	64.4	64.7	63.6	62.9	61.9	62.1	61.0	60.3	59.3	40
44	57.3	56.2	55.5	54.5	54.7	53.7	53.0	51.9	52.1	51.1	50.4	49.4	44
48	49.1	48.0	47.3	46.3	46.5	45.5	44.8	43.7	43.9	42.9	42.1	41.1	48
52	42.2	41.1	40.4	39.4	39.6	38.6	37.8	36.8	37.0	35.9	35.2	34.2	52
56	36.3	35.3	34.5	33.5	33.7	32.7	31.9	30.9	31.1	30.0	29.3	28.2	56
60	31.3	30.2	29.5	28.4	28.7	27.6	26.8	25.8	26.0	24.9	24.2	23.1	60
64	26.8	25.8	25.0	23.9	24.2	23.1	22.4	21.3	21.5	20.5	19.7	18.7	64

SCC6500A-HJFJDB_4 LOAD CHART

Boom 114~159m Jib 12m B-J Angle10° SL R 21m SL CWT 100t Rear CWT 210t Carbody CWT 60t Unit: t

R	Boom (m)												R
m	114	117	120	123	126	129	132	135	138	141	144	147	m
16	162	157	151	145									16
17	162	157	151	145	135	130	125	119					17
18	162	157	151	145	135	130	125	119	113	108	102	96.9	18
19	162	157	151	145	135	130	125	119	113	108	102	96.5	19
20	162	157	151	145	135	130	125	119	113	108	101	96.5	20
22	160	156	151	145	135	130	125	119	112	107	101	96.2	22
24	157	155	151	145	135	130	125	119	112	106	101	95.9	24
26	152	152	149	145	135	130	124	118	111	105	100	95.7	26
28	146	147	146	144	135	130	124	118	111	105	99.9	95.5	28
30	141	142	142	141	134	129	123	118	110	105	99.6	95.2	30
32	131	130	130	129	129	128	123	117	109	105	99.2	94.9	32
34	121	120	119	118	119	118	117	116	108	104	98.9	94.7	34
36	112	111	110	109	109	108	108	107	107	103	98.4	94.2	36
38	104	103	102	101	101	100	99.8	98.7	98.9	97.9	97.2	93.2	38
40	96.6	95.6	94.9	93.8	94.1	93.1	92.4	91.3	91.5	90.5	89.8	88.8	40
44	83.9	82.9	82.2	81.1	81.4	80.4	79.6	78.6	78.8	77.8	77.0	76.0	44
48	73.5	72.4	71.7	70.6	70.9	69.8	69.1	68.1	68.3	67.2	66.5	65.5	48
52	64.6	63.6	62.8	61.8	62.1	61.0	60.3	59.2	59.4	58.4	57.6	56.6	52
56	57.1	56.0	55.3	54.2	54.5	53.4	52.7	51.7	51.8	50.8	50.1	49.0	56
60	50.6	49.5	48.8	47.7	48.0	46.9	46.2	45.1	45.3	44.3	43.5	42.5	60
64	44.9	43.8	43.1	42.0	42.3	41.2	40.5	39.4	39.6	38.6	37.8	36.8	64

SCC6500A-HJFJDB_4 LOAD CHART

Boom 114~159m Jib 12m B-J Angle10° SL R 21m SL CWT 150t Rear CWT 210t Carbody CWT 60t Unit: t

R	Boom (m)												R
m	114	117	120	123	126	129	132	135	138	141	144	147	m
16	162*	157*	151*	145*									16
17	162*	157*	151*	145*	135*	130*	125*	119*					17
18	162	157*	151*	145*	135*	130*	125*	119*	113*	108*	102*	96.9*	18
19	162	157	151	145*	135*	130*	125*	119*	113*	108*	102*	96.5*	19
20	162	157	151	145	135*	130*	125*	119*	113*	108*	101*	96.5*	20
22	160	156	151	145	135	130	125	119	112*	107*	101*	96.2*	22
24	157	155	151	145	135	130	125	119	112	106	101*	95.9*	24
26	152	152	149	145	135	130	124	118	111	105	100	95.7	26
28	146	147	146	144	135	130	124	118	111	105	99.9	95.5	28
30	141	142	142	142	134	129	123	118	110	105	99.6	95.2	30
32	136	137	138	139	134	129	123	117	109	105	99.2	94.9	32
34	130	131	132	135	133	128	122	116	108	104	98.9	94.7	34
36	125	126	127	130	131	127	121	115	107	103	98.4	94.2	36
38	120	121	123	125	127	125	120	114	106	102	97.8	93.2	38
40	116	117	119	121	122	122	118	113	105	101	96.8	91.5	40
44	110	109	108	107	108	107	106	105	104	99.4	95.1	88.8	44
48	97.8	96.7	96.0	95.0	95.3	94.2	93.5	92.4	92.6	91.6	90.9	86.5	48
52	87.0	86.0	85.3	84.2	84.5	83.4	82.7	81.6	81.8	80.8	80.1	79.0	52
56	77.9	76.8	76.1	75.0	75.3	74.2	73.5	72.4	72.6	71.6	70.8	69.8	56
60	69.9	68.9	68.1	67.1	67.3	66.3	65.5	64.5	64.7	63.6	62.9	61.8	60
64	63.0	61.9	61.2	60.1	60.4	59.3	58.6	57.5	57.7	56.7	55.9	54.9	64

SCC6500A-HJFJDB_4 LOAD CHART

Boom 114~159m Jib 12m B-J Angle10° SL R 21m SL CWT 150t Rear CWT 210t Carbody CWT 60t Unit: t

R	Boom (m)												R
m	114	117	120	123	126	129	132	135	138	141	144	147	m
68	56.9	55.9	55.1	54.0	54.3	53.2	52.5	51.4	51.6	50.6	49.8	48.8	68
72	51.6	50.5	49.7	48.6	48.9	47.8	47.1	46.0	46.2	45.2	44.4	43.3	72
76	46.7	45.6	44.9	43.8	44.1	43.0	42.3	41.2	41.4	40.3	39.6	38.5	76
80	42.4	41.3	40.6	39.5	39.8	38.7	37.9	36.9	37.0	36.0	35.2	34.2	80
84	38.5	37.4	36.7	35.6	35.8	34.8	34.0	32.9	33.1	32.1	31.3	30.2	84
88	34.9	33.8	33.1	32.0	32.3	31.2	30.5	29.4	29.6	28.5	27.7	26.7	88
92	31.7	30.6	29.8	28.7	29.0	28.0	27.2	26.1	26.3	25.2	24.5	23.4	92
96	28.7	27.6	26.9	25.8	26.1	25.0	24.2	23.1	23.3	22.3	21.5	20.4	96
100	26.0	24.9	24.1	23.0	23.3	22.2	21.5	20.4	20.6	19.5	18.8	17.7	100
104	23.4	22.3	21.6	20.5	20.8	19.7	19.0	17.9	18.1	17.0	16.2	15.2	104
108	21.1	20.0	19.3	18.2	18.5	17.4	16.6	15.5	15.7	14.7	13.9	12.8	108
112	18.9	17.8	17.1	16.0	16.3	15.2	14.5	13.4	13.6	12.5	11.7	10.7	112
116			15.0	13.9	14.3	13.2	12.4	11.3	11.6	10.5	9.7	8.6	116
120				12.0	12.4	11.3	10.5	9.4	9.7	8.6	7.8	6.7	120
124						9.5	8.7	7.7	7.9	6.8	6.1	5.0	124
128							7.1	6.0	6.2	5.1			128

SCC6500A-HJFJDB_4 LOAD CHART

Boom 114~159m Jib 12m B-J Angle10° SL R 21m SL CWT 200t Rear CWT 210t Carbody CWT 60t Unit: t

R	Boom (m)												R
m	114	117	120	123	126	129	132	135	138	141	144	147	m
16	162*	157*	151*	145*									16
17	162*	157*	151*	145*	135*	130*	125*	119*					17
18	162*	157*	151*	145*	135*	130*	125*	119*	113*	108*	102*	96.9*	18
19	162*	157*	151*	145*	135*	130*	125*	119*	113*	108*	102*	96.5*	19
20	162*	157*	151*	145*	135*	130*	125*	119*	113*	108*	101*	96.5*	20
22	160*	156*	151*	145*	135*	130*	125*	119*	112*	107*	101*	96.2*	22
24	157*	155*	151*	145*	135*	130*	125*	119*	112*	106*	101*	95.9*	24
26	152	152	149	145	135*	130*	124*	118*	111*	105*	100*	95.7*	26
28	146	147	146	144	135	130	124*	118*	111*	105*	99.9*	95.5*	28
30	141	142	142	142	134	129	123	118	110*	105*	99.6*	95.2*	30
32	136	137	138	139	134	129	123	117	109	105	99.2*	94.9*	32
34	130	131	132	135	133	128	122	116	108	104	98.9	94.7	34
36	125	126	127	130	131	127	121	115	107	103	98.4	94.2	36
38	120	121	123	125	127	125	120	114	106	102	97.8	93.2	38
40	116	117	119	121	122	122	118	113	105	101	96.8	91.5	40
44	110	111	113	114	115	115	113	110	104	99.4	95.1	88.8	44
48	105	106	107	108	109	111	109	106	102	97.4	93.3	86.5	48
52	100	101	102	103	104	105	105	102	99.5	95.4	91.3	85.1	52
56	95.1	96.8	96.8	95.8	96.0	95.0	94.3	93.2	93.4	92.3	88.9	83.3	56
60	89.3	88.2	87.5	86.4	86.7	85.6	84.9	83.8	84.0	83.0	82.2	81.2	60
64	81.1	80.0	79.3	78.2	78.5	77.4	76.7	75.6	75.8	74.8	74.0	73.0	64

SCC6500A-HJFJDB_4 LOAD CHART

Boom 114~159m Jib 12m B-J Angle10° SL R 21m SL CWT 250t Rear CWT 210t Carbody CWT 60t Unit: t

R	Boom (m)												R
m	114	117	120	123	126	129	132	135	138	141	144	147	m
16	162*	157*	151*	145*									16
17	162*	157*	151*	145*	135*	130*	125*	119*					17
18	162*	157*	151*	145*	135*	130*	125*	119*	113*	108*	102*	96.9*	18
19	162*	157*	151*	145*	135*	130*	125*	119*	113*	108*	102*	96.5*	19
20	162*	157*	151*	145*	135*	130*	125*	119*	113*	108*	101*	96.5*	20
22	160*	156*	151*	145*	135*	130*	125*	119*	112*	107*	101*	96.2*	22
24	157*	155*	151*	145*	135*	130*	125*	119*	112*	106*	101*	95.9*	24
26	152*	152*	149*	145*	135*	130*	124*	118*	111*	105*	100*	95.7*	26
28	146*	147*	146*	144*	135*	130*	124*	118*	111*	105*	99.9*	95.5*	28
30	141*	142*	142*	142*	134*	129*	123*	118*	110*	105*	99.6*	95.2*	30
32	136*	137*	138*	139*	134*	129*	123*	117*	109*	105*	99.2*	94.9*	32
34	130*	131*	132*	135	133	128*	122*	116*	108*	104*	98.9*	94.7*	34
36	125	126	127	130	131	127	121	115*	107*	103*	98.4*	94.2*	36
38	120	121	123	125	127	125	120	114	106*	102*	97.8*	93.2*	38
40	116	117	119	121	122	122	118	113	105	101	96.8*	91.5*	40
44	110	111	113	114	115	115	113	110	104	99.4	95.1	88.8	44
48	105	106	107	108	109	111	109	106	102	97.4	93.3	86.5	48
52	100	101	102	103	104	106	105	102	99.5	95.4	91.3	85.1	52
56	95.1	96.8	97.6	99.1	99.9	101	102	99.7	97.5	93.9	88.9	83.3	56
60	91.1	92.8	93.6	95.0	95.9	97.0	98.5	97.5	94.6	91.5	86.3	81.5	60
64	88.0	89.1	89.9	91.0	92.3	94.0	94.2	93.1	91.6	89.9	84.4	79.9	64

SCC6500A-HJFJDB_4 LOAD CHART

Boom 114~159m Jib 12m B-J Angle10° SL R 21m SL CWT 310t Rear CWT 210t Carbody CWT 60t Unit: t

R	Boom (m)												R
m	114	117	120	123	126	129	132	135	138	141	144	147	m
16	162*	157*	151*	145*									16
17	162*	157*	151*	145*	135*	130*	125*	119*					17
18	162*	157*	151*	145*	135*	130*	125*	119*	113*	108*	102*	96.9*	18
19	162*	157*	151*	145*	135*	130*	125*	119*	113*	108*	102*	96.5*	19
20	162*	157*	151*	145*	135*	130*	125*	119*	113*	108*	101*	96.5*	20
22	160*	156*	151*	145*	135*	130*	125*	119*	112*	107*	101*	96.2*	22
24	157*	155*	151*	145*	135*	130*	125*	119*	112*	106*	101*	95.9*	24
26	152*	152*	149*	145*	135*	130*	124*	118*	111*	105*	100*	95.7*	26
28	146*	147*	146*	144*	135*	130*	124*	118*	111*	105*	99.9*	95.5*	28
30	141*	142*	142*	142*	134*	129*	123*	118*	110*	105*	99.6*	95.2*	30
32	136*	137*	138*	139*	134*	129*	123*	117*	109*	105*	99.2*	94.9*	32
34	130*	131*	132*	135*	133*	128*	122*	116*	108*	104*	98.9*	94.7*	34
36	125*	126*	127*	130*	131*	127*	121*	115*	107*	103*	98.4*	94.2*	36
38	120*	121*	123*	125*	127*	125*	120*	114*	106*	102*	97.8*	93.2*	38
40	116*	117*	119*	121*	122*	122*	118*	113*	105*	101*	96.8*	91.5*	40
44	110*	111*	113*	114*	115*	115*	113*	110*	104*	99.4*	95.1*	88.8*	44
48	105*	106*	107*	108*	109*	111	109	106*	102*	97.4*	93.3*	86.5*	48
52	100*	101	102	103	104	106	105	102	99.5	95.4	91.3*	85.1*	52
56	95.1	96.8	97.6	99.1	99.9	101	102	99.7	97.5	93.9	88.9	83.3	56
60	91.1	92.8	93.6	95.0	95.9	97.0	98.5	97.5	94.6	91.5	86.3	81.5	60
64	88.0	89.1	89.9	91.0	92.3	94.0	95.5	94.2	91.6	89.9	84.4	79.9	64

SCC6500A-HJFJDB_4 LOAD CHART

Boom 114~159m Jib 12m B-J Angle15° SL R 13m SL CWT 50t Rear CWT 210t Carbody CWT 60t Unit: t

R	Boom (m)												R
m	114	117	120	123	126	129	132	135	138	141	144	147	m
17	161	156	150	144									17
18	161	156	150	144	134	129	124	118					18
19	160	156	150	144	134	129	124	118	112	107	101	96.2	19
20	152	149	147	144	134	129	124	118	112	107	101	96.2	20
22	135	134	134	131	130	128	124	118	111	106	100	95.9	22
24	120	119	118	117	118	117	115	113	111	106	100	95.7	24
26	107	106	105	104	105	104	103	102	102	100	98.5	95.4	26
28	96.2	95.3	94.6	93.7	94.0	93.1	92.4	91.5	91.7	90.8	90.2	88.6	28
30	86.7	85.8	85.2	84.2	84.5	83.5	82.9	82.0	82.2	81.2	80.6	79.7	30
32	78.5	77.5	76.9	76.0	76.2	75.3	74.6	73.7	73.9	72.9	72.3	71.4	32
34	71.3	70.3	69.7	68.7	69.0	68.0	67.4	66.4	66.6	65.7	65.0	64.1	34
36	64.9	64.0	63.3	62.3	62.6	61.6	61.0	60.0	60.2	59.2	58.6	57.6	36
38	59.3	58.3	57.6	56.6	56.9	55.9	55.3	54.3	54.5	53.5	52.8	51.9	38
40	54.2	53.2	52.6	51.5	51.8	50.8	50.2	49.2	49.4	48.4	47.7	46.7	40
44	45.5	44.5	43.8	42.8	43.1	42.1	41.4	40.4	40.6	39.6	38.9	37.9	44
48	38.3	37.3	36.6	35.6	35.8	34.8	34.1	33.1	33.3	32.3	31.6	30.6	48
52	32.2	31.2	30.5	29.5	29.7	28.7	28.0	27.0	27.2	26.2	25.5	24.5	52
56	27.1	26.0	25.3	24.3	24.6	23.5	22.8	21.8	22.0	20.9	20.2	19.2	56
60	22.6	21.5	20.8	19.8	20.1	19.0	18.3	17.3	17.5	16.4	15.7	14.7	60
64	18.7	17.6	16.9	15.9	16.1	15.1	14.4	13.3	13.5	12.5	11.8	10.7	64
68	15.3	14.2	13.5	12.4	12.7	11.6	10.9	9.9	10.1	9.0	8.3	7.3	68

SCC6500A-HJFJDB_4 LOAD CHART

Boom 114~159m Jib 12m B-J Angle15° SL R 13m SL CWT 100t Rear CWT 210t Carbody CWT 60t Unit: t

R	Boom (m)												R
m	114	117	120	123	126	129	132	135	138	141	144	147	m
17	161	156	150	144									17
18	161	156	150	144	134	129	124	118					18
19	161	156	150	144	134	129	124	118	112	107	101	96.2	19
20	161	156	150	144	134	129	124	118	112	107	101	96.2	20
22	160	155	150	144	134	129	124	118	111	106	100	95.9	22
24	152	151	150	144	134	129	124	118	111	106	100	95.7	24
26	136	136	135	134	134	129	123	117	110	105	99.9	95.4	26
28	123	122	122	121	121	120	120	117	110	105	99.7	95.2	28
30	112	111	110	109	110	109	108	107	107	105	99.4	94.9	30
32	102	101	100	99.8	100	99.1	98.5	97.6	97.7	96.8	96.2	94.6	32
34	93.7	92.7	92.1	91.1	91.4	90.4	89.8	88.8	89.0	88.1	87.4	86.5	34
36	86.0	85.0	84.4	83.4	83.7	82.7	82.0	81.1	81.3	80.3	79.7	78.7	36
38	79.2	78.2	77.5	76.5	76.8	75.8	75.2	74.2	74.4	73.4	72.8	71.8	38
40	73.1	72.1	71.4	70.4	70.7	69.7	69.0	68.0	68.2	67.3	66.6	65.6	40
44	62.6	61.5	60.9	59.9	60.1	59.1	58.5	57.5	57.7	56.7	56.0	55.0	44
48	53.9	52.8	52.2	51.1	51.4	50.4	49.7	48.7	48.9	47.9	47.2	46.2	48
52	46.6	45.5	44.8	43.8	44.1	43.1	42.4	41.3	41.5	40.5	39.8	38.8	52
56	40.3	39.3	38.6	37.5	37.8	36.8	36.1	35.1	35.3	34.2	33.5	32.5	56
60	34.9	33.9	33.2	32.1	32.4	31.4	30.7	29.6	29.8	28.8	28.1	27.1	60
64	30.2	29.2	28.5	27.4	27.7	26.7	26.0	24.9	25.1	24.1	23.4	22.3	64
68	26.1	25.0	24.3	23.3	23.6	22.5	21.8	20.7	20.9	19.9	19.2	18.1	68

SCC6500A-HJFJDB_4 LOAD CHART

Boom 114~159m Jib 12m B-J Angle15° SL R 13m SL CWT 150t Rear CWT 210t Carbody CWT 60t Unit: t

R	Boom (m)												R
m	114	117	120	123	126	129	132	135	138	141	144	147	m
17	161	156	150	144									17
18	161	156	150	144	134	129	124	118					18
19	161	156	150	144	134	129	124	118	112	107	101	96.2	19
20	161	156	150	144	134	129	124	118	112	107	101	96.2	20
22	160	155	150	144	134	129	124	118	111	106	100	95.9	22
24	156	154	150	144	134	129	124	118	111	106	100	95.7	24
26	151	151	148	144	134	129	123	117	110	105	99.9	95.4	26
28	145	146	147	144	134	129	123	117	110	105	99.7	95.2	28
30	137	136	136	135	133	128	122	117	109	105	99.4	94.9	30
32	126	125	124	123	123	123	122	116	109	104	99.0	94.6	32
34	116	115	114	113	113	112	112	111	108	103	98.7	94.4	34
36	107	106	105	104	104	103	103	102	102	101	98.2	93.9	36
38	99.1	98.1	97.4	96.4	96.7	95.8	95.1	94.1	94.3	93.4	92.7	91.7	38
40	91.9	90.9	90.3	89.3	89.5	88.6	87.9	86.9	87.1	86.1	85.5	84.5	40
44	79.6	78.6	77.9	76.9	77.2	76.2	75.5	74.5	74.7	73.8	73.1	72.1	44
48	69.5	68.4	67.8	66.7	67.0	66.0	65.3	64.3	64.5	63.5	62.8	61.8	48
52	60.9	59.9	59.2	58.1	58.4	57.4	56.7	55.7	55.9	54.9	54.2	53.2	52
56	53.6	52.6	51.9	50.8	51.1	50.1	49.4	48.4	48.6	47.5	46.8	45.8	56
60	47.3	46.2	45.6	44.5	44.8	43.8	43.0	42.0	42.2	41.2	40.5	39.5	60
64	41.8	40.7	40.0	39.0	39.3	38.2	37.5	36.5	36.7	35.7	34.9	33.9	64
68	37.0	35.9	35.2	34.1	34.4	33.4	32.7	31.6	31.8	30.8	30.1	29.0	68

SCC6500A-HJFJDB_4 LOAD CHART

Boom 114~159m Jib 12m B-J Angle15° SL R 13m SL CWT 200t Rear CWT 210t Carbody CWT 60t Unit: t

R	Boom (m)												R
m	114	117	120	123	126	129	132	135	138	141	144	147	m
17	161	156	150	144									17
18	161	156	150	144	134	129	124	118*					18
19	161	156	150	144	134	129	124	118	112*	107*	101*	96.2*	19
20	161	156	150	144	134	129	124	118	112	107	101*	96.2*	20
22	160	155	150	144	134	129	124	118	111	106	100	95.9	22
24	156	154	150	144	134	129	124	118	111	106	100	95.7	24
26	151	151	148	144	134	129	123	117	110	105	99.9	95.4	26
28	145	146	147	144	134	129	123	117	110	105	99.7	95.2	28
30	140	141	142	141	133	128	122	117	109	105	99.4	94.9	30
32	135	136	138	137	133	128	122	116	109	104	99.0	94.6	32
34	131	131	133	133	132	127	121	115	108	103	98.7	94.4	34
36	126	126	126	125	125	124	120	114	107	102	98.2	93.9	36
38	118	118	117	116	116	115	115	112	106	101	97.7	92.5	38
40	110	109	109	108	108	107	106	105	104	100	96.7	91.2	40
44	96.7	95.7	95.0	94.0	94.3	93.3	92.6	91.6	91.8	90.8	90.2	88.7	44
48	85.0	84.0	83.3	82.3	82.6	81.6	80.9	79.9	80.1	79.1	78.4	77.4	48
52	75.2	74.2	73.5	72.5	72.8	71.8	71.1	70.1	70.3	69.2	68.5	67.5	52
56	66.9	65.8	65.1	64.1	64.4	63.4	62.7	61.6	61.8	60.8	60.1	59.1	56
60	59.7	58.6	57.9	56.9	57.2	56.1	55.4	54.4	54.6	53.6	52.9	51.8	60
64	53.4	52.3	51.6	50.6	50.9	49.8	49.1	48.1	48.3	47.2	46.5	45.5	64
68	47.8	46.8	46.1	45.0	45.3	44.3	43.5	42.5	42.7	41.7	40.9	39.9	68

SCC6500A-HJFJDB_4 LOAD CHART

Boom 114~159m Jib 12m B-J Angle15° SL R 13m SL CWT 200t Rear CWT 210t Carbody CWT 60t Unit: t

R	Boom (m)												R
m	114	117	120	123	126	129	132	135	138	141	144	147	m
72	42.9	41.8	41.1	40.1	40.4	39.3	38.6	37.6	37.8	36.7	36.0	35.0	72
76	38.5	37.5	36.7	35.7	36.0	34.9	34.2	33.1	33.4	32.3	31.6	30.5	76
80	34.6	33.5	32.8	31.7	32.0	31.0	30.2	29.2	29.4	28.4	27.6	26.6	80
84	31.0	29.9	29.2	28.1	28.5	27.4	26.7	25.6	25.8	24.8	24.0	23.0	84
88	27.8	26.7	26.0	24.9	25.2	24.2	23.4	22.4	22.6	21.5	20.8	19.7	88
92	24.8	23.7	23.0	21.9	22.3	21.2	20.5	19.4	19.6	18.6	17.8	16.8	92
96	22.1	21.0	20.3	19.2	19.5	18.5	17.7	16.7	16.9	15.8	15.1	14.0	96
100	19.6	18.5	17.8	16.7	17.0	16.0	15.2	14.2	14.4	13.3	12.6	11.5	100
104	17.3	16.2	15.5	14.4	14.7	13.7	12.9	11.9	12.1	11.0	10.3	9.2	104
108	15.1	14.0	13.3	12.3	12.6	11.5	10.8	9.7	10.0	8.9	8.1	7.1	108
112	13.1	12.0	11.3	10.3	10.6	9.5	8.8	7.7	8.0	6.9	6.2	5.1	112
116			9.5	8.4	8.7	7.7	6.9	5.9	6.1	5.1			116
120				6.6	7.0	5.9	5.2						120

SCC6500A-HJFJDB_4 LOAD CHART

Boom 114~159m Jib 12m B-J Angle15° SL R 13m SL CWT 250t Rear CWT 210t Carbody CWT 60t Unit: t

R	Boom (m)												R
m	114	117	120	123	126	129	132	135	138	141	144	147	m
17	161*	156*	150*	144*									17
18	161*	156*	150*	144*	134*	129*	124*	118*					18
19	161	156*	150*	144*	134*	129*	124*	118*	112*	107*	101*	96.2*	19
20	161	156	150	144*	134*	129*	124*	118*	112*	107*	101*	96.2*	20
22	160	155	150	144	134	129	124*	118*	111*	106*	100*	95.9*	22
24	156	154	150	144	134	129	124	118	111	106*	100*	95.7*	24
26	151	151	148	144	134	129	123	117	110	105	99.9	95.4	26
28	145	146	147	144	134	129	123	117	110	105	99.7	95.2	28
30	140	141	142	141	133	128	122	117	109	105	99.4	94.9	30
32	135	136	138	137	133	128	122	116	109	104	99.0	94.6	32
34	131	131	133	133	132	127	121	115	108	103	98.7	94.4	34
36	126	126	128	129	130	124	120	114	107	102	98.2	93.9	36
38	121	122	124	124	126	121	117	112	106	101	97.7	92.5	38
40	116	117	119	120	120	118	115	110	104	100	96.7	91.2	40
44	110	111	112	111	111	110	109	108	102	98.3	95.0	88.7	44
48	100	99.6	98.9	97.9	98.2	97.2	96.5	95.5	95.7	94.7	93.2	87.1	48
52	89.6	88.5	87.9	86.8	87.1	86.1	85.4	84.4	84.6	83.6	82.9	81.9	52
56	80.1	79.1	78.4	77.4	77.7	76.7	76.0	74.9	75.1	74.1	73.4	72.4	56
60	72.0	71.0	70.3	69.2	69.5	68.5	67.8	66.8	67.0	65.9	65.2	64.2	60
64	64.9	63.9	63.2	62.1	62.4	61.4	60.7	59.6	59.8	58.8	58.1	57.1	64
68	58.7	57.6	56.9	55.9	56.2	55.1	54.4	53.4	53.6	52.5	51.8	50.8	68

SCC6500A-HJFJDB_4 LOAD CHART

Boom 114~159m Jib 12m B-J Angle15° SL R 13m SL CWT 250t Rear CWT 210t Carbody CWT 60t Unit: t

R	Boom (m)												R
m	114	117	120	123	126	129	132	135	138	141	144	147	m
72	53.1	52.1	51.4	50.3	50.6	49.6	48.9	47.8	48.0	47.0	46.3	45.2	72
76	48.2	47.1	46.4	45.4	45.7	44.6	43.9	42.8	43.1	42.0	41.3	40.2	76
80	43.8	42.7	42.0	40.9	41.2	40.2	39.4	38.4	38.6	37.6	36.8	35.8	80
84	39.7	38.7	38.0	36.9	37.2	36.1	35.4	34.4	34.6	33.5	32.8	31.7	84
88	36.1	35.0	34.3	33.2	33.6	32.5	31.8	30.7	30.9	29.9	29.1	28.1	88
92	32.8	31.7	31.0	29.9	30.2	29.2	28.4	27.4	27.6	26.5	25.8	24.7	92
96	29.7	28.6	27.9	26.8	27.2	26.1	25.4	24.3	24.5	23.5	22.7	21.7	96
100	26.9	25.8	25.1	24.0	24.4	23.3	22.6	21.5	21.7	20.7	19.9	18.9	100
104	24.3	23.2	22.5	21.4	21.8	20.7	20.0	18.9	19.1	18.1	17.3	16.3	104
108	21.9	20.8	20.1	19.0	19.3	18.3	17.6	16.5	16.7	15.7	14.9	13.9	108
112	19.6	18.5	17.8	16.8	17.1	16.0	15.3	14.2	14.5	13.4	12.7	11.6	112
116			15.7	14.7	15.0	14.0	13.2	12.2	12.4	11.3	10.6	9.5	116
120				12.7	13.1	12.0	11.3	10.2	10.4	9.4	8.6	7.6	120
124						10.2	9.4	8.4	8.6	7.6	6.8	5.8	124
128							7.7	6.7	6.9	5.8	5.1		128
132									5.3				132

SCC6500A-HJFJDB_4 LOAD CHART

Boom 114~159m Jib 12m B-J Angle15° SL R 13m SL CWT 310t Rear CWT 210t Carbody CWT 60t Unit: t

R	Boom (m)												R
m	114	117	120	123	126	129	132	135	138	141	144	147	m
17	161*	156*	150*	144*									17
18	161*	156*	150*	144*	134*	129*	124*	118*					18
19	161*	156*	150*	144*	134*	129*	124*	118*	112*	107*	101*	96.2*	19
20	161*	156*	150*	144*	134*	129*	124*	118*	112*	107*	101*	96.2*	20
22	160*	155*	150*	144*	134*	129*	124*	118*	111*	106*	100*	95.9*	22
24	156	154	150*	144*	134*	129*	124*	118*	111*	106*	100*	95.7*	24
26	151	151	148	144	134*	129*	123*	117*	110*	105*	99.9*	95.4*	26
28	145	146	147	144	134	129	123	117*	110*	105*	99.7*	95.2*	28
30	140	141	142	141	133	128	122	117	109	105*	99.4*	94.9*	30
32	135	136	138	137	133	128	122	116	109	104	99.0	94.6*	32
34	131	131	133	133	132	127	121	115	108	103	98.7	94.4	34
36	126	126	128	129	130	124	120	114	107	102	98.2	93.9	36
38	121	122	124	124	126	121	117	112	106	101	97.7	92.5	38
40	116	117	119	120	120	118	115	110	104	100	96.7	91.2	40
44	110	111	112	113	115	115	113	108	102	98.3	95.0	88.7	44
48	105	105	107	108	109	110	109	105	101	97.3	93.2	87.1	48
52	99.6	101	101	102	103	103	102	101	99.3	95.3	91.2	85.0	52
56	95.6	95.0	94.4	93.3	93.6	92.6	91.9	90.9	91.1	90.1	88.8	83.2	56
60	86.8	85.8	85.1	84.1	84.4	83.3	82.6	81.6	81.8	80.8	80.1	79.1	60
64	78.8	77.7	77.0	76.0	76.3	75.3	74.6	73.5	73.7	72.7	72.0	71.0	64
68	71.7	70.7	70.0	68.9	69.2	68.2	67.5	66.4	66.6	65.6	64.9	63.8	68

SCC6500A-HJFJDB_4 LOAD CHART

Boom 114~159m Jib 12m B-J Angle15° SL R 15m SL CWT 50t Rear CWT 210t Carbody CWT 60t Unit: t

R	Boom (m)												R
m	114	117	120	123	126	129	132	135	138	141	144	147	m
17	161	156	150	144									17
18	161	156	150	144	134	129	124	118					18
19	161	156	150	144	134	129	124	118	112	107	101	96.2	19
20	158	155	150	144	134	129	124	118	112	107	101	96.2	20
22	142	141	139	136	134	129	124	118	111	106	100	95.9	22
24	126	125	124	123	123	122	120	117	111	106	100	95.7	24
26	112	111	111	110	110	109	108	107	107	105	99.9	95.4	26
28	101	100	99.6	98.6	98.9	98.0	97.4	96.4	96.6	95.7	94.6	92.6	28
30	91.3	90.4	89.8	88.8	89.1	88.1	87.5	86.5	86.7	85.8	85.2	84.2	30
32	82.8	81.8	81.2	80.2	80.5	79.6	78.9	78.0	78.1	77.2	76.6	75.6	32
34	75.4	74.4	73.7	72.8	73.0	72.1	71.4	70.4	70.6	69.7	69.0	68.1	34
36	68.8	67.8	67.1	66.1	66.4	65.4	64.8	63.8	64.0	63.0	62.3	61.4	36
38	62.9	61.9	61.2	60.2	60.5	59.5	58.9	57.9	58.1	57.1	56.4	55.4	38
40	57.6	56.6	56.0	55.0	55.2	54.2	53.6	52.6	52.8	51.8	51.1	50.1	40
44	48.6	47.6	46.9	45.9	46.2	45.2	44.5	43.5	43.7	42.7	42.0	41.0	44
48	41.2	40.1	39.4	38.4	38.7	37.7	37.0	35.9	36.1	35.1	34.4	33.4	48
52	34.9	33.8	33.1	32.1	32.4	31.3	30.6	29.6	29.8	28.8	28.1	27.1	52
56	29.5	28.5	27.8	26.7	27.0	25.9	25.2	24.2	24.4	23.4	22.7	21.6	56
60	24.9	23.8	23.1	22.0	22.3	21.3	20.6	19.5	19.7	18.7	18.0	16.9	60
64	20.8	19.8	19.1	18.0	18.3	17.2	16.5	15.5	15.7	14.6	13.9	12.9	64
68	17.3	16.2	15.5	14.4	14.7	13.7	12.9	11.9	12.1	11.0	10.3	9.3	68

SCC6500A-HJFJDB_4 LOAD CHART

Boom 114~159m Jib 12m B-J Angle15° SL R 15m SL CWT 100t Rear CWT 210t Carbody CWT 60t Unit: t

R	Boom (m)												R
m	114	117	120	123	126	129	132	135	138	141	144	147	m
17	161	156	150	144									17
18	161	156	150	144	134	129	124	118					18
19	161	156	150	144	134	129	124	118	112	107	101	96.2	19
20	161	156	150	144	134	129	124	118	112	107	101	96.2	20
22	160	155	150	144	134	129	124	118	111	106	100	95.9	22
24	156	154	150	144	134	129	124	118	111	106	100	95.7	24
26	146	145	144	144	134	129	123	117	110	105	99.9	95.4	26
28	132	131	130	130	130	129	123	117	110	105	99.7	95.2	28
30	120	119	118	117	118	117	116	115	109	105	99.4	94.9	30
32	110	109	108	107	107	106	106	105	105	104	99.0	94.6	32
34	100	99.9	99.2	98.3	98.5	97.6	96.9	96.0	96.2	95.2	94.5	93.6	34
36	92.8	91.8	91.1	90.2	90.4	89.5	88.8	87.8	88.0	87.1	86.4	85.4	36
38	85.6	84.6	83.9	82.9	83.2	82.2	81.6	80.6	80.8	79.8	79.1	78.2	38
40	79.1	78.1	77.5	76.5	76.8	75.8	75.1	74.1	74.3	73.3	72.6	71.7	40
44	68.1	67.1	66.4	65.4	65.7	64.6	64.0	63.0	63.1	62.2	61.5	60.5	44
48	58.9	57.9	57.2	56.2	56.5	55.4	54.8	53.7	53.9	52.9	52.2	51.2	48
52	51.2	50.2	49.5	48.5	48.7	47.7	47.0	46.0	46.2	45.2	44.5	43.4	52
56	44.6	43.6	42.9	41.9	42.1	41.1	40.4	39.4	39.6	38.5	37.8	36.8	56
60	39.0	37.9	37.2	36.2	36.4	35.4	34.7	33.7	33.8	32.8	32.1	31.1	60
64	34.0	33.0	32.3	31.2	31.5	30.4	29.7	28.7	28.9	27.8	27.1	26.1	64
68	29.7	28.6	27.9	26.8	27.1	26.1	25.3	24.3	24.5	23.4	22.7	21.7	68

SCC6500A-HJFJDB_4 LOAD CHART

Boom 114~159m Jib 12m B-J Angle15° SL R 15m SL CWT 150t Rear CWT 210t Carbody CWT 60t Unit: t

R	Boom (m)												R
m	114	117	120	123	126	129	132	135	138	141	144	147	m
17	161	156	150	144									17
18	161	156	150	144	134	129	124	118					18
19	161	156	150	144	134	129	124	118	112	107	101	96.2	19
20	161	156	150	144	134	129	124	118	112	107	101	96.2	20
22	160	155	150	144	134	129	124	118	111	106	100	95.9	22
24	156	154	150	144	134	129	124	118	111	106	100	95.7	24
26	151	151	148	144	134	129	123	117	110	105	99.9	95.4	26
28	145	146	147	144	134	129	123	117	110	105	99.7	95.2	28
30	140	141	142	141	133	128	122	117	109	105	99.4	94.9	30
32	135	136	135	134	133	128	122	116	109	104	99.0	94.6	32
34	126	125	124	123	124	123	121	115	108	103	98.7	94.4	34
36	116	115	115	114	114	113	112	111	107	102	98.2	93.9	36
38	108	107	106	105	105	104	104	103	103	101	97.7	92.5	38
40	100	99.6	99.0	98.0	98.3	97.3	96.6	95.6	95.8	94.8	94.2	91.2	40
44	87.5	86.5	85.9	84.8	85.1	84.1	83.4	82.4	82.6	81.6	81.0	80.0	44
48	76.7	75.7	75.0	74.0	74.2	73.2	72.5	71.5	71.7	70.7	70.0	69.0	48
52	67.6	66.5	65.9	64.8	65.1	64.1	63.4	62.4	62.5	61.5	60.8	59.8	52
56	59.8	58.7	58.1	57.0	57.3	56.3	55.6	54.5	54.7	53.7	53.0	52.0	56
60	53.1	52.0	51.3	50.3	50.6	49.5	48.8	47.8	48.0	46.9	46.2	45.2	60
64	47.2	46.2	45.4	44.4	44.7	43.6	42.9	41.9	42.1	41.0	40.3	39.3	64
68	42.1	41.0	40.3	39.2	39.5	38.5	37.7	36.7	36.9	35.9	35.1	34.1	68

SCC6500A-HJFJDB_4 LOAD CHART

Boom 114~159m Jib 12m B-J Angle15° SL R 15m SL CWT 200t Rear CWT 210t Carbody CWT 60t Unit: t

R	Boom (m)												R
m	114	117	120	123	126	129	132	135	138	141	144	147	m
17	161*	156*	150*	144*									17
18	161	156	150*	144*	134*	129*	124*	118*					18
19	161	156	150	144	134*	129*	124*	118*	112*	107*	101*	96.2*	19
20	161	156	150	144	134	129	124*	118*	112*	107*	101*	96.2*	20
22	160	155	150	144	134	129	124	118	111*	106*	100*	95.9*	22
24	156	154	150	144	134	129	124	118	111	106	100	95.7	24
26	151	151	148	144	134	129	123	117	110	105	99.9	95.4	26
28	145	146	147	144	134	129	123	117	110	105	99.7	95.2	28
30	140	141	142	141	133	128	122	117	109	105	99.4	94.9	30
32	135	136	138	137	133	128	122	116	109	104	99.0	94.6	32
34	131	131	133	133	132	127	121	115	108	103	98.7	94.4	34
36	126	126	128	129	130	124	120	114	107	102	98.2	93.9	36
38	121	122	124	124	126	121	117	112	106	101	97.7	92.5	38
40	116	117	119	119	119	118	115	110	104	100	96.7	91.2	40
44	107	106	105	104	104	103	102	101	102	98.3	95.0	88.7	44
48	94.5	93.4	92.8	91.7	92.0	91.0	90.3	89.3	89.5	88.5	87.8	86.8	48
52	83.9	82.9	82.2	81.2	81.5	80.4	79.7	78.7	78.9	77.9	77.2	76.2	52
56	74.9	73.9	73.2	72.2	72.5	71.4	70.7	69.7	69.9	68.9	68.2	67.1	56
60	67.2	66.1	65.4	64.4	64.7	63.6	62.9	61.9	62.1	61.1	60.3	59.3	60
64	60.4	59.3	58.6	57.6	57.9	56.8	56.1	55.1	55.3	54.3	53.5	52.5	64
68	54.4	53.4	52.7	51.6	51.9	50.9	50.1	49.1	49.3	48.3	47.5	46.5	68

SCC6500A-HJFJDB_4 LOAD CHART

Boom 114~159m Jib 12m B-J Angle15° SL R 15m SL CWT 200t Rear CWT 210t Carbody CWT 60t Unit: t

R	Boom (m)												R
m	114	117	120	123	126	129	132	135	138	141	144	147	m
72	49.2	48.1	47.4	46.3	46.6	45.6	44.8	43.8	44.0	43.0	42.2	41.2	72
76	44.4	43.4	42.7	41.6	41.9	40.8	40.1	39.1	39.3	38.2	37.5	36.4	76
80	40.2	39.1	38.4	37.3	37.6	36.6	35.9	34.8	35.0	34.0	33.2	32.2	80
84	36.4	35.3	34.6	33.5	33.8	32.7	32.0	30.9	31.2	30.1	29.4	28.3	84
88	32.9	31.8	31.1	30.0	30.3	29.2	28.5	27.5	27.7	26.6	25.9	24.8	88
92	29.7	28.6	27.9	26.8	27.1	26.1	25.3	24.3	24.5	23.4	22.7	21.6	92
96	26.8	25.7	25.0	23.9	24.2	23.1	22.4	21.3	21.6	20.5	19.8	18.7	96
100	24.1	23.0	22.3	21.2	21.5	20.5	19.7	18.7	18.9	17.8	17.1	16.0	100
104	21.6	20.5	19.8	18.7	19.0	18.0	17.2	16.2	16.4	15.3	14.6	13.5	104
108	19.3	18.2	17.5	16.4	16.7	15.7	14.9	13.9	14.1	13.0	12.3	11.2	108
112	17.1	16.0	15.3	14.3	14.6	13.5	12.8	11.7	12.0	10.9	10.2	9.1	112
116			13.3	12.3	12.6	11.5	10.8	9.7	10.0	8.9	8.2	7.1	116
120				10.4	10.7	9.7	8.9	7.9	8.1	7.0	6.3	5.2	120
124						7.9	7.2	6.1	6.4	5.3			124
128							5.5						128

SCC6500A-HJFJDB_4 LOAD CHART

Boom 114~159m Jib 12m B-J Angle15° SL R 15m SL CWT 250t Rear CWT 210t Carbody CWT 60t Unit: t

R	Boom (m)												R
m	114	117	120	123	126	129	132	135	138	141	144	147	m
17	161*	156*	150*	144*									17
18	161*	156*	150*	144*	134*	129*	124*	118*					18
19	161*	156*	150*	144*	134*	129*	124*	118*	112*	107*	101*	96.2*	19
20	161*	156*	150*	144*	134*	129*	124*	118*	112*	107*	101*	96.2*	20
22	160	155	150*	144*	134*	129*	124*	118*	111*	106*	100*	95.9*	22
24	156	154	150	144	134*	129*	124*	118*	111*	106*	100*	95.7*	24
26	151	151	148	144	134	129	123	117*	110*	105*	99.9*	95.4*	26
28	145	146	147	144	134	129	123	117	110	105*	99.7*	95.2*	28
30	140	141	142	141	133	128	122	117	109	105	99.4	94.9	30
32	135	136	138	137	133	128	122	116	109	104	99.0	94.6	32
34	131	131	133	133	132	127	121	115	108	103	98.7	94.4	34
36	126	126	128	129	130	124	120	114	107	102	98.2	93.9	36
38	121	122	124	124	126	121	117	112	106	101	97.7	92.5	38
40	116	117	119	120	120	118	115	110	104	100	96.7	91.2	40
44	110	111	112	113	115	115	113	108	102	98.3	95.0	88.7	44
48	105	105	107	108	109	108	108	105	101	97.3	93.2	87.1	48
52	99.6	99.2	98.6	97.5	97.8	96.8	96.1	95.1	95.3	94.3	91.2	85.0	52
56	90.1	89.0	88.4	87.3	87.6	86.6	85.9	84.8	85.0	84.0	83.3	82.3	56
60	81.3	80.2	79.5	78.5	78.8	77.7	77.0	76.0	76.2	75.2	74.5	73.4	60
64	73.6	72.5	71.8	70.8	71.1	70.0	69.3	68.3	68.5	67.5	66.7	65.7	64
68	66.8	65.8	65.1	64.0	64.3	63.3	62.6	61.5	61.7	60.7	60.0	58.9	68

SCC6500A-HJFJDB_4 LOAD CHART

Boom 114~159m Jib 12m B-J Angle15° SL R 15m SL CWT 310t Rear CWT 210t Carbody CWT 60t Unit: t

R	Boom (m)												R
m	114	117	120	123	126	129	132	135	138	141	144	147	m
17	161*	156*	150*	144*									17
18	161*	156*	150*	144*	134*	129*	124*	118*					18
19	161*	156*	150*	144*	134*	129*	124*	118*	112*	107*	101*	96.2*	19
20	161*	156*	150*	144*	134*	129*	124*	118*	112*	107*	101*	96.2*	20
22	160*	155*	150*	144*	134*	129*	124*	118*	111*	106*	100*	95.9*	22
24	156*	154*	150*	144*	134*	129*	124*	118*	111*	106*	100*	95.7*	24
26	151*	151*	148*	144*	134*	129*	123*	117*	110*	105*	99.9*	95.4*	26
28	145*	146*	147*	144*	134*	129*	123*	117*	110*	105*	99.7*	95.2*	28
30	140	141	142	141	133*	128*	122*	117*	109*	105*	99.4*	94.9*	30
32	135	136	138	137	133	128	122	116*	109*	104*	99.0*	94.6*	32
34	131	131	133	133	132	127	121	115	108*	103*	98.7*	94.4*	34
36	126	126	128	129	130	124	120	114	107	102	98.2*	93.9*	36
38	121	122	124	124	126	121	117	112	106	101	97.7	92.5	38
40	116	117	119	120	120	118	115	110	104	100	96.7	91.2	40
44	110	111	112	113	115	115	113	108	102	98.3	95.0	88.7	44
48	105	105	107	108	109	110	109	105	101	97.3	93.2	87.1	48
52	99.6	101	101	102	103	105	106	102	99.3	95.3	91.2	85.0	52
56	95.6	96.2	96.9	98.3	99.3	101	102	99.2	97.3	93.8	88.8	83.2	56
60	90.5	92.1	93.0	94.3	95.3	94.7	94.0	92.9	93.0	91.4	86.2	81.4	60
64	87.5	88.4	87.7	86.6	86.9	85.9	85.2	84.1	84.3	83.3	82.6	78.9	64
68	81.7	80.7	80.0	78.9	79.2	78.2	77.4	76.4	76.6	75.6	74.8	73.8	68

SCC6500A-HJFJDB_4 LOAD CHART

Boom 114~159m Jib 12m B-J Angle15° SL R 17m SL CWT 50t Rear CWT 210t Carbody CWT 60t Unit: t

R	Boom (m)												R
m	114	117	120	123	126	129	132	135	138	141	144	147	m
17	161	156	150	144									17
18	161	156	150	144	134	129	124	118					18
19	161	156	150	144	134	129	124	118	112	107	101	96.2	19
20	161	156	150	144	134	129	124	118	112	107	101	96.2	20
22	148	146	144	142	134	129	124	118	111	106	100	95.9	22
24	131	130	130	129	129	126	124	118	111	106	100	95.7	24
26	117	117	116	115	115	114	114	112	110	105	99.9	95.4	26
28	106	105	104	103	103	102	102	101	101	100	98.7	95.2	28
30	95.9	95.0	94.4	93.4	93.7	92.7	92.1	91.1	91.3	90.4	89.7	88.8	30
32	87.1	86.2	85.5	84.6	84.8	83.9	83.2	82.3	82.4	81.5	80.8	79.9	32
34	79.4	78.4	77.8	76.8	77.1	76.1	75.4	74.5	74.7	73.7	73.0	72.1	34
36	72.6	71.6	71.0	70.0	70.2	69.2	68.6	67.6	67.8	66.8	66.1	65.2	36
38	66.5	65.5	64.9	63.9	64.1	63.1	62.5	61.5	61.7	60.7	60.0	59.0	38
40	61.1	60.1	59.4	58.4	58.7	57.7	57.0	56.0	56.2	55.2	54.5	53.5	40
44	51.8	50.7	50.0	49.0	49.3	48.3	47.6	46.6	46.8	45.8	45.1	44.1	44
48	44.0	43.0	42.3	41.3	41.5	40.5	39.8	38.8	39.0	38.0	37.3	36.3	48
52	37.5	36.5	35.8	34.7	35.0	34.0	33.3	32.2	32.4	31.4	30.7	29.7	52
56	32.0	30.9	30.2	29.1	29.4	28.4	27.7	26.6	26.8	25.8	25.1	24.1	56
60	27.2	26.1	25.4	24.3	24.6	23.6	22.9	21.8	22.0	21.0	20.2	19.2	60
64	23.0	21.9	21.2	20.1	20.4	19.4	18.6	17.6	17.8	16.8	16.0	15.0	64
68	19.3	18.2	17.5	16.4	16.7	15.7	14.9	13.9	14.1	13.0	12.3	11.3	68

SCC6500A-HJFJDB_4 LOAD CHART

Boom 114~159m Jib 12m B-J Angle15° SL R 17m SL CWT 100t Rear CWT 210t Carbody CWT 60t Unit: t

R	Boom (m)												R
m	114	117	120	123	126	129	132	135	138	141	144	147	m
17	161	156	150	144									17
18	161	156	150	144	134	129	124	118					18
19	161	156	150	144	134	129	124	118	112	107	101	96.2	19
20	161	156	150	144	134	129	124	118	112	107	101	96.2	20
22	160	155	150	144	134	129	124	118	111	106	100	95.9	22
24	156	154	150	144	134	129	124	118	111	106	100	95.7	24
26	151	151	148	144	134	129	123	117	110	105	99.9	95.4	26
28	141	140	139	138	134	129	123	117	110	105	99.7	95.2	28
30	128	127	127	126	126	125	122	117	109	105	99.4	94.9	30
32	117	116	116	115	115	114	113	112	109	104	99.0	94.6	32
34	108	107	106	105	105	104	104	103	103	102	98.7	94.4	34
36	99.6	98.6	97.9	96.9	97.2	96.2	95.6	94.6	94.8	93.8	93.1	92.2	36
38	92.0	91.0	90.4	89.4	89.6	88.6	88.0	87.0	87.2	86.2	85.5	84.5	38
40	85.2	84.2	83.6	82.6	82.8	81.8	81.2	80.2	80.4	79.4	78.7	77.7	40
44	73.6	72.6	71.9	70.9	71.2	70.2	69.5	68.5	68.6	67.7	67.0	66.0	44
48	64.0	63.0	62.3	61.2	61.5	60.5	59.8	58.8	59.0	58.0	57.3	56.3	48
52	55.9	54.8	54.1	53.1	53.4	52.4	51.7	50.6	50.8	49.8	49.1	48.1	52
56	49.0	47.9	47.2	46.2	46.5	45.4	44.7	43.7	43.9	42.8	42.1	41.1	56
60	43.0	41.9	41.2	40.2	40.5	39.4	38.7	37.7	37.9	36.8	36.1	35.1	60
64	37.8	36.7	36.0	35.0	35.3	34.2	33.5	32.4	32.6	31.6	30.9	29.8	64
68	33.2	32.1	31.4	30.4	30.7	29.6	28.9	27.8	28.0	27.0	26.3	25.2	68

SCC6500A-HJFJDB_4 LOAD CHART

Boom 114~159m Jib 12m B-J Angle15° SL R 17m SL CWT 150t Rear CWT 210t Carbody CWT 60t Unit: t

R	Boom (m)												R
m	114	117	120	123	126	129	132	135	138	141	144	147	m
17	161	156	150	144									17
18	161	156	150	144	134	129	124	118*					18
19	161	156	150	144	134	129	124	118	112	107*	101*	96.2*	19
20	161	156	150	144	134	129	124	118	112	107	101	96.2*	20
22	160	155	150	144	134	129	124	118	111	106	100	95.9	22
24	156	154	150	144	134	129	124	118	111	106	100	95.7	24
26	151	151	148	144	134	129	123	117	110	105	99.9	95.4	26
28	145	146	147	144	134	129	123	117	110	105	99.7	95.2	28
30	140	141	142	141	133	128	122	117	109	105	99.4	94.9	30
32	135	136	138	137	133	128	122	116	109	104	99.0	94.6	32
34	131	131	133	133	132	127	121	115	108	103	98.7	94.4	34
36	126	125	124	123	124	123	120	114	107	102	98.2	93.9	36
38	117	116	115	114	115	114	113	112	106	101	97.7	92.5	38
40	109	108	107	106	107	106	105	104	104	100	96.7	91.2	40
44	95.5	94.4	93.8	92.8	93.0	92.0	91.3	90.3	90.5	89.5	88.8	87.9	44
48	84.0	82.9	82.2	81.2	81.5	80.5	79.8	78.8	78.9	77.9	77.2	76.2	48
52	74.3	73.2	72.5	71.5	71.8	70.7	70.0	69.0	69.2	68.2	67.5	66.5	52
56	66.0	64.9	64.2	63.2	63.5	62.4	61.7	60.7	60.9	59.9	59.2	58.1	56
60	58.9	57.8	57.1	56.0	56.3	55.3	54.6	53.5	53.7	52.7	52.0	51.0	60
64	52.6	51.6	50.9	49.8	50.1	49.0	48.3	47.3	47.5	46.4	45.7	44.7	64
68	47.1	46.1	45.4	44.3	44.6	43.5	42.8	41.8	42.0	40.9	40.2	39.2	68

SCC6500A-HJFJDB_4 LOAD CHART

Boom 114~159m Jib 12m B-J Angle15° SL R 17m SL CWT 150t Rear CWT 210t Carbody CWT 60t Unit: t

R	Boom (m)												R
m	114	117	120	123	126	129	132	135	138	141	144	147	m
72	42.3	41.2	40.5	39.4	39.7	38.7	37.9	36.9	37.1	36.0	35.3	34.3	72
76	37.9	36.9	36.1	35.1	35.4	34.3	33.6	32.5	32.7	31.7	30.9	29.9	76
80	34.0	33.0	32.2	31.2	31.5	30.4	29.7	28.6	28.8	27.8	27.0	26.0	80
84	30.5	29.4	28.7	27.6	27.9	26.9	26.1	25.1	25.3	24.2	23.5	22.4	84
88	27.3	26.2	25.5	24.4	24.7	23.6	22.9	21.8	22.1	21.0	20.3	19.2	88
92	24.4	23.3	22.6	21.5	21.8	20.7	20.0	18.9	19.1	18.1	17.3	16.3	92
96	21.7	20.6	19.9	18.8	19.1	18.0	17.3	16.2	16.4	15.4	14.6	13.6	96
100	19.2	18.1	17.4	16.3	16.6	15.6	14.8	13.7	14.0	12.9	12.2	11.1	100
104	16.9	15.8	15.1	14.0	14.3	13.3	12.5	11.5	11.7	10.6	9.9	8.8	104
108	14.8	13.7	13.0	11.9	12.2	11.1	10.4	9.3	9.6	8.5	7.8	6.7	108
112	12.8	11.7	11.0	9.9	10.2	9.2	8.4	7.4	7.6	6.5	5.8		112
116			9.1	8.1	8.4	7.3	6.6	5.5	5.8				116
120				6.3	6.7	5.6							120

SCC6500A-HJFJDB_4 LOAD CHART

Boom 114~159m Jib 12m B-J Angle15° SL R 17m SL CWT 200t Rear CWT 210t Carbody CWT 60t Unit: t

R	Boom (m)												R
m	114	117	120	123	126	129	132	135	138	141	144	147	m
17	161*	156*	150*	144*									17
18	161*	156*	150*	144*	134*	129*	124*	118*					18
19	161*	156*	150*	144*	134*	129*	124*	118*	112*	107*	101*	96.2*	19
20	161	156	150*	144*	134*	129*	124*	118*	112*	107*	101*	96.2*	20
22	160	155	150	144	134*	129*	124*	118*	111*	106*	100*	95.9*	22
24	156	154	150	144	134	129	124	118	111*	106*	100*	95.7*	24
26	151	151	148	144	134	129	123	117	110	105	99.9*	95.4*	26
28	145	146	147	144	134	129	123	117	110	105	99.7	95.2	28
30	140	141	142	141	133	128	122	117	109	105	99.4	94.9	30
32	135	136	138	137	133	128	122	116	109	104	99.0	94.6	32
34	131	131	133	133	132	127	121	115	108	103	98.7	94.4	34
36	126	126	128	129	130	124	120	114	107	102	98.2	93.9	36
38	121	122	124	124	126	121	117	112	106	101	97.7	92.5	38
40	116	117	119	120	120	118	115	110	104	100	96.7	91.2	40
44	110	111	112	113	114	113	113	108	102	98.3	95.0	88.7	44
48	103	102	102	101	101	100	99.8	98.7	98.9	97.3	93.2	87.1	48
52	92.6	91.6	90.9	89.9	90.2	89.1	88.4	87.4	87.6	86.6	85.9	84.9	52
56	83.0	82.0	81.3	80.2	80.5	79.5	78.8	77.7	77.9	76.9	76.2	75.2	56
60	74.7	73.6	72.9	71.9	72.2	71.1	70.4	69.4	69.6	68.6	67.8	66.8	60
64	67.5	66.4	65.7	64.6	64.9	63.9	63.2	62.1	62.3	61.3	60.6	59.5	64
68	61.1	60.0	59.3	58.2	58.5	57.5	56.8	55.7	55.9	54.9	54.1	53.1	68

SCC6500A-HJFJDB_4 LOAD CHART

Boom 114~159m Jib 12m B-J Angle15° SL R 17m SL CWT 200t Rear CWT 210t Carbody CWT 60t Unit: t

R	Boom (m)												R
m	114	117	120	123	126	129	132	135	138	141	144	147	m
72	55.4	54.3	53.6	52.6	52.9	51.8	51.1	50.0	50.2	49.2	48.5	47.4	72
76	50.4	49.3	48.6	47.5	47.8	46.7	46.0	45.0	45.2	44.1	43.4	42.3	76
80	45.8	44.7	44.0	43.0	43.3	42.2	41.5	40.4	40.6	39.6	38.8	37.8	80
84	41.7	40.6	39.9	38.8	39.1	38.1	37.4	36.3	36.5	35.4	34.7	33.7	84
88	38.0	36.9	36.2	35.1	35.4	34.3	33.6	32.5	32.8	31.7	31.0	29.9	88
92	34.6	33.5	32.8	31.7	32.0	30.9	30.2	29.1	29.3	28.3	27.5	26.5	92
96	31.4	30.4	29.7	28.6	28.9	27.8	27.1	26.0	26.2	25.2	24.4	23.4	96
100	28.6	27.5	26.8	25.7	26.0	24.9	24.2	23.1	23.4	22.3	21.5	20.5	100
104	25.9	24.8	24.1	23.0	23.4	22.3	21.6	20.5	20.7	19.6	18.9	17.8	104
108	23.4	22.4	21.6	20.6	20.9	19.8	19.1	18.0	18.2	17.2	16.4	15.4	108
112	21.1	20.1	19.4	18.3	18.6	17.5	16.8	15.7	16.0	14.9	14.1	13.1	112
116			17.2	16.1	16.5	15.4	14.7	13.6	13.8	12.8	12.0	11.0	116
120				14.1	14.5	13.4	12.7	11.6	11.8	10.8	10.0	9.0	120
124						11.5	10.8	9.7	10.0	8.9	8.2	7.1	124
128							9.0	8.0	8.2	7.2	6.4	5.4	128
132									6.6	5.5			132

SCC6500A-HJFJDB_4 LOAD CHART

Boom 114~159m Jib 12m B-J Angle15° SL R 17m SL CWT 250t Rear CWT 210t Carbody CWT 60t Unit: t

R	Boom (m)												R
m	114	117	120	123	126	129	132	135	138	141	144	147	m
17	161*	156*	150*	144*									17
18	161*	156*	150*	144*	134*	129*	124*	118*					18
19	161*	156*	150*	144*	134*	129*	124*	118*	112*	107*	101*	96.2*	19
20	161*	156*	150*	144*	134*	129*	124*	118*	112*	107*	101*	96.2*	20
22	160*	155*	150*	144*	134*	129*	124*	118*	111*	106*	100*	95.9*	22
24	156*	154*	150*	144*	134*	129*	124*	118*	111*	106*	100*	95.7*	24
26	151	151	148	144	134*	129*	123*	117*	110*	105*	99.9*	95.4*	26
28	145	146	147	144	134	129*	123*	117*	110*	105*	99.7*	95.2*	28
30	140	141	142	141	133	128	122	117	109*	105*	99.4*	94.9*	30
32	135	136	138	137	133	128	122	116	109	104*	99.0*	94.6*	32
34	131	131	133	133	132	127	121	115	108	103	98.7	94.4	34
36	126	126	128	129	130	124	120	114	107	102	98.2	93.9	36
38	121	122	124	124	126	121	117	112	106	101	97.7	92.5	38
40	116	117	119	120	120	118	115	110	104	100	96.7	91.2	40
44	110	111	112	113	115	115	113	108	102	98.3	95.0	88.7	44
48	105	105	107	108	109	110	109	105	101	97.3	93.2	87.1	48
52	99.6	101	101	102	103	105	106	102	99.3	95.3	91.2	85.0	52
56	95.6	96.2	96.9	97.2	97.5	96.5	95.8	94.8	95.0	93.8	88.8	83.2	56
60	90.5	89.5	88.8	87.7	88.0	87.0	86.3	85.3	85.4	84.4	83.7	81.4	60
64	82.3	81.2	80.5	79.5	79.8	78.7	78.0	77.0	77.2	76.1	75.4	74.4	64
68	75.0	73.9	73.2	72.2	72.5	71.4	70.7	69.6	69.9	68.8	68.1	67.1	68

SCC6500A-HJFJDB_4 LOAD CHART

Boom 114~159m Jib 12m B-J Angle15° SL R 17m SL CWT 310t Rear CWT 210t Carbody CWT 60t Unit: t

R	Boom (m)												R
m	114	117	120	123	126	129	132	135	138	141	144	147	m
17	161*	156*	150*	144*									17
18	161*	156*	150*	144*	134*	129*	124*	118*					18
19	161*	156*	150*	144*	134*	129*	124*	118*	112*	107*	101*	96.2*	19
20	161*	156*	150*	144*	134*	129*	124*	118*	112*	107*	101*	96.2*	20
22	160*	155*	150*	144*	134*	129*	124*	118*	111*	106*	100*	95.9*	22
24	156*	154*	150*	144*	134*	129*	124*	118*	111*	106*	100*	95.7*	24
26	151*	151*	148*	144*	134*	129*	123*	117*	110*	105*	99.9*	95.4*	26
28	145*	146*	147*	144*	134*	129*	123*	117*	110*	105*	99.7*	95.2*	28
30	140*	141*	142*	141*	133*	128*	122*	117*	109*	105*	99.4*	94.9*	30
32	135*	136*	138*	137*	133*	128*	122*	116*	109*	104*	99.0*	94.6*	32
34	131*	131*	133*	133	132*	127*	121*	115*	108*	103*	98.7*	94.4*	34
36	126*	126	128	129	130	124	120*	114*	107*	102*	98.2*	93.9*	36
38	121	122	124	124	126	121	117	112	106*	101*	97.7*	92.5*	38
40	116	117	119	120	120	118	115	110	104	100*	96.7*	91.2*	40
44	110	111	112	113	115	115	113	108	102	98.3	95.0	88.7	44
48	105	105	107	108	109	110	109	105	101	97.3	93.2	87.1	48
52	99.6	101	101	102	103	105	106	102	99.3	95.3	91.2	85.0	52
56	95.6	96.2	96.9	98.3	99.3	101	102	99.2	97.3	93.8	88.8	83.2	56
60	90.5	92.1	93.0	94.3	95.3	96.3	97.8	95.5	94.4	91.4	86.2	81.4	60
64	87.5	88.5	89.3	90.3	91.8	92.4	93.8	91.7	91.4	88.8	83.3	78.9	64
68	84.5	85.1	85.9	86.9	88.2	87.1	86.4	85.3	85.3	84.2	80.6	76.7	68

SCC6500A-HJFJDB_4 LOAD CHART

Boom 114~159m Jib 12m B-J Angle15° SL R 19m SL CWT 50t Rear CWT 210t Carbody CWT 60t Unit: t

R	Boom (m)												R
m	114	117	120	123	126	129	132	135	138	141	144	147	m
17	161	156	150	144									17
18	161	156	150	144	134	129	124	118					18
19	161	156	150	144	134	129	124	118	112	107	101	96.2	19
20	161	156	150	144	134	129	124	118	112	107	101	96.2	20
22	154	152	149	144	134	129	124	118	111	106	100	95.9	22
24	137	136	136	135	133	129	124	118	111	106	100	95.7	24
26	123	122	121	120	121	120	119	117	110	105	99.9	95.4	26
28	111	110	109	108	108	107	107	106	106	105	99.7	95.2	28
30	100	99.6	99.0	98.0	98.3	97.3	96.7	95.8	95.9	95.0	94.4	93.1	30
32	91.5	90.5	89.9	88.9	89.2	88.2	87.5	86.6	86.8	85.8	85.2	84.2	32
34	83.5	82.5	81.9	80.9	81.1	80.2	79.5	78.5	78.7	77.8	77.1	76.1	34
36	76.5	75.5	74.8	73.8	74.1	73.1	72.4	71.4	71.6	70.6	70.0	69.0	36
38	70.2	69.2	68.5	67.5	67.8	66.8	66.1	65.1	65.3	64.3	63.6	62.7	38
40	64.5	63.5	62.9	61.8	62.1	61.1	60.4	59.4	59.6	58.6	57.9	57.0	40
44	54.9	53.9	53.2	52.2	52.4	51.4	50.7	49.7	49.9	48.9	48.2	47.2	44
48	46.9	45.9	45.2	44.1	44.4	43.4	42.7	41.7	41.8	40.8	40.1	39.1	48
52	40.2	39.1	38.4	37.4	37.6	36.6	35.9	34.9	35.1	34.0	33.3	32.3	52
56	34.4	33.4	32.7	31.6	31.9	30.8	30.1	29.1	29.3	28.2	27.5	26.5	56
60	29.5	28.4	27.7	26.6	26.9	25.9	25.1	24.1	24.3	23.2	22.5	21.5	60
64	25.1	24.1	23.3	22.3	22.6	21.5	20.8	19.7	19.9	18.9	18.2	17.1	64
68	21.3	20.2	19.5	18.4	18.7	17.7	17.0	15.9	16.1	15.0	14.3	13.3	68

SCC6500A-HJFJDB_4 LOAD CHART

Boom 114~159m Jib 12m B-J Angle15° SL R 19m SL CWT 50t Rear CWT 210t Carbody CWT 60t Unit: t

R	Boom (m)											R	
m	114	117	120	123	126	129	132	135	138	141	144	147	m
72	17.9	16.8	16.1	15.1	15.3	14.3	13.6	12.5	12.7	11.6	10.9	9.9	72
76	14.9	13.8	13.1	12.0	12.3	11.2	10.5	9.5	9.6	8.6	7.9	6.8	76
80	12.2	11.1	10.4	9.3	9.6	8.5	7.8	6.7	6.9	5.9	5.1		80
84	9.7	8.6	7.9	6.8	7.1	6.1	5.3						84
88	7.5	6.4	5.7										88
92	5.4												92

SCC6500A-HJFJDB_4 LOAD CHART

Boom 114~159m Jib 12m B-J Angle15° SL R 19m SL CWT 100t Rear CWT 210t Carbody CWT 60t Unit: t

R	Boom (m)												R
m	114	117	120	123	126	129	132	135	138	141	144	147	m
17	161	156	150	144									17
18	161	156	150	144	134	129	124	118					18
19	161	156	150	144	134	129	124	118	112	107	101	96.2	19
20	161	156	150	144	134	129	124	118	112	107	101	96.2	20
22	160	155	150	144	134	129	124	118	111	106	100	95.9	22
24	156	154	150	144	134	129	124	118	111	106	100	95.7	24
26	151	151	148	144	134	129	123	117	110	105	99.9	95.4	26
28	145	146	147	144	134	129	123	117	110	105	99.7	95.2	28
30	136	135	135	134	133	128	122	117	109	105	99.4	94.9	30
32	125	124	123	122	123	122	121	116	109	104	99.0	94.6	32
34	115	114	113	112	112	112	111	110	108	103	98.7	94.4	34
36	106	105	104	103	104	103	102	101	101	100	98.2	93.9	36
38	98.4	97.4	96.8	95.8	96.0	95.1	94.4	93.4	93.6	92.6	91.9	90.9	38
40	91.3	90.3	89.7	88.6	88.9	87.9	87.2	86.2	86.4	85.4	84.8	83.8	40
44	79.1	78.1	77.4	76.4	76.7	75.7	75.0	74.0	74.2	73.2	72.5	71.5	44
48	69.0	68.0	67.3	66.3	66.6	65.5	64.8	63.8	64.0	63.0	62.3	61.3	48
52	60.6	59.5	58.8	57.8	58.0	57.0	56.3	55.3	55.5	54.5	53.7	52.7	52
56	53.3	52.2	51.5	50.5	50.8	49.7	49.0	48.0	48.2	47.2	46.4	45.4	56
60	47.0	46.0	45.3	44.2	44.5	43.5	42.7	41.7	41.9	40.9	40.1	39.1	60
64	41.6	40.5	39.8	38.7	39.0	38.0	37.3	36.2	36.4	35.4	34.6	33.6	64
68	36.8	35.7	35.0	33.9	34.2	33.2	32.4	31.4	31.6	30.5	29.8	28.8	68

SCC6500A-HJFJDB_4 LOAD CHART

Boom 114~159m Jib 12m B-J Angle15° SL R 19m SL CWT 150t Rear CWT 210t Carbody CWT 60t Unit: t

R	Boom (m)												R
m	114	117	120	123	126	129	132	135	138	141	144	147	m
17	161	156	150*	144*									17
18	161	156	150	144	134*	129*	124*	118*					18
19	161	156	150	144	134	129*	124*	118*	112*	107*	101*	96.2*	19
20	161	156	150	144	134	129	124	118*	112*	107*	101*	96.2*	20
22	160	155	150	144	134	129	124	118	111	106	100*	95.9*	22
24	156	154	150	144	134	129	124	118	111	106	100	95.7	24
26	151	151	148	144	134	129	123	117	110	105	99.9	95.4	26
28	145	146	147	144	134	129	123	117	110	105	99.7	95.2	28
30	140	141	142	141	133	128	122	117	109	105	99.4	94.9	30
32	135	136	138	137	133	128	122	116	109	104	99.0	94.6	32
34	131	131	133	133	132	127	121	115	108	103	98.7	94.4	34
36	126	126	128	129	130	124	120	114	107	102	98.2	93.9	36
38	121	122	124	124	124	121	117	112	106	101	97.7	92.5	38
40	116	117	116	115	115	114	114	110	104	100	96.7	91.2	40
44	103	102	101	100	101	99.9	99.3	98.2	98.4	97.4	95.0	88.7	44
48	91.2	90.2	89.5	88.5	88.7	87.7	87.0	86.0	86.2	85.2	84.5	83.5	48
52	80.9	79.9	79.2	78.2	78.4	77.4	76.7	75.7	75.9	74.9	74.1	73.1	52
56	72.2	71.1	70.4	69.4	69.7	68.6	67.9	66.9	67.1	66.1	65.3	64.3	56
60	64.6	63.6	62.9	61.8	62.1	61.1	60.3	59.3	59.5	58.5	57.7	56.7	60
64	58.0	57.0	56.3	55.2	55.5	54.4	53.7	52.7	52.9	51.8	51.1	50.1	64
68	52.2	51.2	50.5	49.4	49.7	48.6	47.9	46.8	47.0	46.0	45.3	44.2	68

SCC6500A-HJFJDB_4 LOAD CHART

Boom 114~159m Jib 12m B-J Angle15° SL R 19m SL CWT 150t Rear CWT 210t Carbody CWT 60t Unit: t

R	Boom (m)												R
m	114	117	120	123	126	129	132	135	138	141	144	147	m
72	47.1	46.0	45.3	44.2	44.5	43.5	42.7	41.7	41.9	40.8	40.1	39.1	72
76	42.5	41.4	40.7	39.6	39.9	38.9	38.1	37.1	37.3	36.2	35.5	34.4	76
80	38.4	37.3	36.6	35.5	35.8	34.7	34.0	32.9	33.1	32.1	31.3	30.3	80
84	34.6	33.5	32.8	31.7	32.0	31.0	30.2	29.2	29.4	28.3	27.6	26.5	84
88	31.2	30.1	29.4	28.3	28.6	27.6	26.8	25.8	26.0	24.9	24.2	23.1	88
92	28.1	27.0	26.3	25.2	25.5	24.5	23.7	22.7	22.9	21.8	21.1	20.0	92
96	25.3	24.2	23.5	22.4	22.7	21.6	20.9	19.8	20.0	19.0	18.2	17.2	96
100	22.7	21.6	20.9	19.8	20.1	19.0	18.3	17.2	17.4	16.3	15.6	14.5	100
104	20.2	19.1	18.4	17.3	17.7	16.6	15.9	14.8	15.0	13.9	13.2	12.1	104
108	18.0	16.9	16.2	15.1	15.4	14.3	13.6	12.5	12.8	11.7	10.9	9.9	108
112	15.9	14.8	14.1	13.0	13.3	12.3	11.5	10.4	10.7	9.6	8.9	7.8	112
116			12.1	11.0	11.4	10.3	9.6	8.5	8.7	7.7	6.9	5.9	116
120				9.2	9.6	8.5	7.8	6.7	6.9	5.9	5.1		120
124						6.8	6.1	5.0	5.2				124

SCC6500A-HJFJDB_4 LOAD CHART

Boom 114~159m Jib 12m B-J Angle15° SL R 19m SL CWT 200t Rear CWT 210t Carbody CWT 60t Unit: t

R	Boom (m)												R
m	114	117	120	123	126	129	132	135	138	141	144	147	m
17	161*	156*	150*	144*									17
18	161*	156*	150*	144*	134*	129*	124*	118*					18
19	161*	156*	150*	144*	134*	129*	124*	118*	112*	107*	101*	96.2*	19
20	161*	156*	150*	144*	134*	129*	124*	118*	112*	107*	101*	96.2*	20
22	160	155*	150*	144*	134*	129*	124*	118*	111*	106*	100*	95.9*	22
24	156	154	150	144	134*	129*	124*	118*	111*	106*	100*	95.7*	24
26	151	151	148	144	134	129	123	117*	110*	105*	99.9*	95.4*	26
28	145	146	147	144	134	129	123	117	110	105*	99.7*	95.2*	28
30	140	141	142	141	133	128	122	117	109	105	99.4	94.9*	30
32	135	136	138	137	133	128	122	116	109	104	99.0	94.6	32
34	131	131	133	133	132	127	121	115	108	103	98.7	94.4	34
36	126	126	128	129	130	124	120	114	107	102	98.2	93.9	36
38	121	122	124	124	126	121	117	112	106	101	97.7	92.5	38
40	116	117	119	120	120	118	115	110	104	100	96.7	91.2	40
44	110	111	112	113	115	115	113	108	102	98.3	95.0	88.7	44
48	105	105	107	108	109	109	109	105	101	97.3	93.2	87.1	48
52	99.6	100	99.6	98.6	98.9	97.8	97.1	96.1	96.3	95.3	91.2	85.0	52
56	91.1	90.0	89.3	88.3	88.6	87.5	86.8	85.8	86.0	85.0	84.2	83.2	56
60	82.2	81.2	80.5	79.4	79.7	78.7	77.9	76.9	77.1	76.1	75.3	74.3	60
64	74.5	73.4	72.7	71.7	72.0	70.9	70.2	69.1	69.3	68.3	67.6	66.5	64
68	67.7	66.6	65.9	64.9	65.2	64.1	63.4	62.3	62.5	61.5	60.7	59.7	68

SCC6500A-HJFJDB_4 LOAD CHART

Boom 114~159m Jib 12m B-J Angle15° SL R 19m SL CWT 250t Rear CWT 210t Carbody CWT 60t Unit: t

R	Boom (m)												R
m	114	117	120	123	126	129	132	135	138	141	144	147	m
17	161*	156*	150*	144*									17
18	161*	156*	150*	144*	134*	129*	124*	118*					18
19	161*	156*	150*	144*	134*	129*	124*	118*	112*	107*	101*	96.2*	19
20	161*	156*	150*	144*	134*	129*	124*	118*	112*	107*	101*	96.2*	20
22	160*	155*	150*	144*	134*	129*	124*	118*	111*	106*	100*	95.9*	22
24	156*	154*	150*	144*	134*	129*	124*	118*	111*	106*	100*	95.7*	24
26	151*	151*	148*	144*	134*	129*	123*	117*	110*	105*	99.9*	95.4*	26
28	145*	146*	147*	144*	134*	129*	123*	117*	110*	105*	99.7*	95.2*	28
30	140*	141	142	141	133*	128*	122*	117*	109*	105*	99.4*	94.9*	30
32	135	136	138	137	133	128	122*	116*	109*	104*	99.0*	94.6*	32
34	131	131	133	133	132	127	121	115	108*	103*	98.7*	94.4*	34
36	126	126	128	129	130	124	120	114	107	102*	98.2*	93.9*	36
38	121	122	124	124	126	121	117	112	106	101	97.7	92.5*	38
40	116	117	119	120	120	118	115	110	104	100	96.7	91.2	40
44	110	111	112	113	115	115	113	108	102	98.3	95.0	88.7	44
48	105	105	107	108	109	110	109	105	101	97.3	93.2	87.1	48
52	99.6	101	101	102	103	105	106	102	99.3	95.3	91.2	85.0	52
56	95.6	96.2	96.9	98.3	99.3	101	102	99.2	97.3	93.8	88.8	83.2	56
60	90.5	92.1	93.0	94.3	95.3	96.3	95.5	94.5	94.4	91.4	86.2	81.4	60
64	87.5	88.5	89.2	88.1	88.4	87.4	86.7	85.6	85.8	84.8	83.3	78.9	64
68	83.2	82.1	81.4	80.3	80.6	79.6	78.8	77.8	78.0	77.0	76.2	75.2	68

SCC6500A-HJFJDB_4 LOAD CHART

Boom 114~159m Jib 12m B-J Angle15° SL R 19m SL CWT 310t Rear CWT 210t Carbody CWT 60t Unit: t

R	Boom (m)												R
m	114	117	120	123	126	129	132	135	138	141	144	147	m
17	161*	156*	150*	144*									17
18	161*	156*	150*	144*	134*	129*	124*	118*					18
19	161*	156*	150*	144*	134*	129*	124*	118*	112*	107*	101*	96.2*	19
20	161*	156*	150*	144*	134*	129*	124*	118*	112*	107*	101*	96.2*	20
22	160*	155*	150*	144*	134*	129*	124*	118*	111*	106*	100*	95.9*	22
24	156*	154*	150*	144*	134*	129*	124*	118*	111*	106*	100*	95.7*	24
26	151*	151*	148*	144*	134*	129*	123*	117*	110*	105*	99.9*	95.4*	26
28	145*	146*	147*	144*	134*	129*	123*	117*	110*	105*	99.7*	95.2*	28
30	140*	141*	142*	141*	133*	128*	122*	117*	109*	105*	99.4*	94.9*	30
32	135*	136*	138*	137*	133*	128*	122*	116*	109*	104*	99.0*	94.6*	32
34	131*	131*	133*	133*	132*	127*	121*	115*	108*	103*	98.7*	94.4*	34
36	126*	126*	128*	129*	130*	124*	120*	114*	107*	102*	98.2*	93.9*	36
38	121*	122*	124*	124*	126*	121*	117*	112*	106*	101*	97.7*	92.5*	38
40	116*	117*	119*	120*	120*	118*	115*	110*	104*	100*	96.7*	91.2*	40
44	110*	111	112	113	115	115	113	108	102*	98.3*	95.0*	88.7*	44
48	105	105	107	108	109	110	109	105	101	97.3	93.2	87.1*	48
52	99.6	101	101	102	103	105	106	102	99.3	95.3	91.2	85.0	52
56	95.6	96.2	96.9	98.3	99.3	101	102	99.2	97.3	93.8	88.8	83.2	56
60	90.5	92.1	93.0	94.3	95.3	96.3	97.8	95.5	94.4	91.4	86.2	81.4	60
64	87.5	88.5	89.3	90.3	91.8	92.4	93.8	91.7	91.4	88.8	83.3	78.9	64
68	84.5	85.1	85.9	86.9	88.4	87.4	88.4	87.1	86.8	85.1	80.6	76.7	68

SCC6500A-HJFJDB_4 LOAD CHART

Boom 114~159m Jib 12m B-J Angle15° SL R 21m SL CWT 50t Rear CWT 210t Carbody CWT 60t Unit: t

R	Boom (m)												R
m	114	117	120	123	126	129	132	135	138	141	144	147	m
17	161	156	150	144									17
18	161	156	150	144	134	129	124	118					18
19	161	156	150	144	134	129	124	118	112	107	101	96.2	19
20	161	156	150	144	134	129	124	118	112	107	101	96.2	20
22	159	155	150	144	134	129	124	118	111	106	100	95.9	22
24	143	142	142	139	134	129	124	118	111	106	100	95.7	24
26	128	127	127	126	126	125	123	117	110	105	99.9	95.4	26
28	116	115	114	113	113	112	112	111	110	105	99.7	95.2	28
30	105	104	103	102	102	102	101	100	100	99.6	98.9	94.9	30
32	95.8	94.9	94.2	93.2	93.5	92.5	91.9	90.9	91.1	90.1	89.5	88.5	32
34	87.6	86.6	86.0	85.0	85.2	84.3	83.6	82.6	82.8	81.8	81.2	80.2	34
36	80.3	79.3	78.7	77.7	77.9	76.9	76.3	75.3	75.4	74.5	73.8	72.8	36
38	73.8	72.8	72.2	71.1	71.4	70.4	69.7	68.7	68.9	67.9	67.3	66.3	38
40	68.0	67.0	66.3	65.3	65.6	64.6	63.9	62.9	63.1	62.1	61.4	60.4	40
44	58.0	57.0	56.3	55.3	55.6	54.5	53.8	52.8	53.0	52.0	51.3	50.3	44
48	49.8	48.7	48.0	47.0	47.3	46.2	45.5	44.5	44.7	43.7	43.0	42.0	48
52	42.8	41.8	41.1	40.0	40.3	39.3	38.5	37.5	37.7	36.7	36.0	34.9	52
56	36.9	35.8	35.1	34.1	34.3	33.3	32.6	31.5	31.7	30.7	30.0	28.9	56
60	31.8	30.7	30.0	28.9	29.2	28.1	27.4	26.4	26.6	25.5	24.8	23.8	60
64	27.3	26.2	25.5	24.4	24.7	23.7	22.9	21.9	22.1	21.0	20.3	19.3	64
68	23.3	22.3	21.5	20.5	20.8	19.7	19.0	17.9	18.1	17.1	16.3	15.3	68

SCC6500A-HJFJDB_4 LOAD CHART

Boom 114~159m Jib 12m B-J Angle15° SL R 21m SL CWT 100t Rear CWT 210t Carbody CWT 60t Unit: t

R	Boom (m)												R
m	114	117	120	123	126	129	132	135	138	141	144	147	m
17	161	156	150	144									17
18	161	156	150	144	134	129	124	118					18
19	161	156	150	144	134	129	124	118	112	107	101	96.2	19
20	161	156	150	144	134	129	124	118	112	107	101	96.2	20
22	160	155	150	144	134	129	124	118	111	106	100	95.9	22
24	156	154	150	144	134	129	124	118	111	106	100	95.7	24
26	151	151	148	144	134	129	123	117	110	105	99.9	95.4	26
28	145	146	147	144	134	129	123	117	110	105	99.7	95.2	28
30	140	141	142	141	133	128	122	117	109	105	99.4	94.9	30
32	133	132	131	130	130	128	122	116	109	104	99.0	94.6	32
34	122	121	120	119	120	119	118	115	108	103	98.7	94.4	34
36	113	112	111	110	110	109	109	108	107	102	98.2	93.9	36
38	104	103	103	102	102	101	100	99.8	100	99.0	97.7	92.5	38
40	97.5	96.4	95.8	94.8	95.0	94.0	93.3	92.3	92.5	91.5	90.8	89.9	40
44	84.7	83.7	83.0	81.9	82.2	81.2	80.5	79.5	79.7	78.7	78.0	77.0	44
48	74.1	73.1	72.4	71.4	71.6	70.6	69.9	68.9	69.1	68.1	67.3	66.3	48
52	65.2	64.2	63.5	62.4	62.7	61.7	61.0	59.9	60.1	59.1	58.4	57.4	52
56	57.6	56.6	55.9	54.8	55.1	54.1	53.3	52.3	52.5	51.5	50.7	49.7	56
60	51.1	50.0	49.3	48.3	48.5	47.5	46.8	45.7	45.9	44.9	44.1	43.1	60
64	45.4	44.3	43.6	42.5	42.8	41.8	41.0	40.0	40.2	39.1	38.4	37.4	64
68	40.3	39.3	38.6	37.5	37.8	36.7	36.0	34.9	35.1	34.1	33.3	32.3	68

SCC6500A-HJFJDB_4 LOAD CHART

Boom 114~159m Jib 12m B-J Angle15° SL R 21m SL CWT 150t Rear CWT 210t Carbody CWT 60t Unit: t

R	Boom (m)												R
m	114	117	120	123	126	129	132	135	138	141	144	147	m
17	161*	156*	150*	144*									17
18	161*	156*	150*	144*	134*	129*	124*	118*					18
19	161	156	150	144*	134*	129*	124*	118*	112*	107*	101*	96.2*	19
20	161	156	150	144	134*	129*	124*	118*	112*	107*	101*	96.2*	20
22	160	155	150	144	134	129	124	118*	111*	106*	100*	95.9*	22
24	156	154	150	144	134	129	124	118	111	106	100*	95.7*	24
26	151	151	148	144	134	129	123	117	110	105	99.9	95.4	26
28	145	146	147	144	134	129	123	117	110	105	99.7	95.2	28
30	140	141	142	141	133	128	122	117	109	105	99.4	94.9	30
32	135	136	138	137	133	128	122	116	109	104	99.0	94.6	32
34	131	131	133	133	132	127	121	115	108	103	98.7	94.4	34
36	126	126	128	129	130	124	120	114	107	102	98.2	93.9	36
38	121	122	124	124	126	121	117	112	106	101	97.7	92.5	38
40	116	117	119	120	120	118	115	110	104	100	96.7	91.2	40
44	110	110	109	108	108	107	107	106	102	98.3	95.0	88.7	44
48	98.5	97.4	96.7	95.7	96.0	95.0	94.3	93.2	93.4	92.4	91.7	87.1	48
52	87.6	86.6	85.9	84.9	85.1	84.1	83.4	82.4	82.5	81.5	80.8	79.8	52
56	78.4	77.3	76.6	75.6	75.9	74.8	74.1	73.1	73.3	72.2	71.5	70.5	56
60	70.4	69.4	68.7	67.6	67.9	66.8	66.1	65.1	65.3	64.2	63.5	62.5	60
64	63.5	62.4	61.7	60.6	60.9	59.9	59.1	58.1	58.3	57.2	56.5	55.5	64
68	57.3	56.3	55.6	54.5	54.8	53.7	53.0	51.9	52.1	51.1	50.3	49.3	68

SCC6500A-HJFJDB_4 LOAD CHART

Boom 114~159m Jib 12m B-J Angle15° SL R 21m SL CWT 150t Rear CWT 210t Carbody CWT 60t Unit: t

R	Boom (m)												R
m	114	117	120	123	126	129	132	135	138	141	144	147	m
72	51.9	50.8	50.1	49.0	49.3	48.3	47.5	46.5	46.7	45.6	44.9	43.8	72
76	47.1	46.0	45.3	44.2	44.5	43.4	42.7	41.6	41.8	40.8	40.0	39.0	76
80	42.7	41.6	40.9	39.8	40.1	39.0	38.3	37.2	37.4	36.4	35.6	34.6	80
84	38.7	37.7	36.9	35.9	36.2	35.1	34.3	33.3	33.5	32.4	31.7	30.6	84
88	35.2	34.1	33.4	32.3	32.6	31.5	30.8	29.7	29.9	28.8	28.1	27.0	88
92	31.9	30.8	30.1	29.0	29.3	28.2	27.5	26.4	26.6	25.6	24.8	23.7	92
96	28.9	27.8	27.1	26.0	26.3	25.2	24.5	23.4	23.6	22.6	21.8	20.7	96
100	26.1	25.0	24.3	23.2	23.5	22.5	21.7	20.6	20.9	19.8	19.0	18.0	100
104	23.6	22.5	21.8	20.7	21.0	19.9	19.2	18.1	18.3	17.2	16.5	15.4	104
108	21.2	20.1	19.4	18.3	18.6	17.5	16.8	15.7	15.9	14.9	14.1	13.1	108
112	19.0	17.9	17.2	16.1	16.4	15.3	14.6	13.5	13.8	12.7	11.9	10.9	112
116			15.1	14.0	14.4	13.3	12.6	11.5	11.7	10.6	9.9	8.8	116
120				12.1	12.4	11.4	10.6	9.6	9.8	8.7	8.0	6.9	120
124						9.6	8.8	7.8	8.0	6.9	6.2	5.1	124
128							7.1	6.1	6.3	5.3			128

SCC6500A-HJFJDB_4 LOAD CHART

Boom 114~159m Jib 12m B-J Angle15° SL R 21m SL CWT 200t Rear CWT 210t Carbody CWT 60t Unit: t

R	Boom (m)												R
m	114	117	120	123	126	129	132	135	138	141	144	147	m
17	161*	156*	150*	144*									17
18	161*	156*	150*	144*	134*	129*	124*	118*					18
19	161*	156*	150*	144*	134*	129*	124*	118*	112*	107*	101*	96.2*	19
20	161*	156*	150*	144*	134*	129*	124*	118*	112*	107*	101*	96.2*	20
22	160*	155*	150*	144*	134*	129*	124*	118*	111*	106*	100*	95.9*	22
24	156*	154*	150*	144*	134*	129*	124*	118*	111*	106*	100*	95.7*	24
26	151	151	148	144	134*	129*	123*	117*	110*	105*	99.9*	95.4*	26
28	145	146	147	144	134	129	123*	117*	110*	105*	99.7*	95.2*	28
30	140	141	142	141	133	128	122	117	109*	105*	99.4*	94.9*	30
32	135	136	138	137	133	128	122	116	109	104	99.0*	94.6*	32
34	131	131	133	133	132	127	121	115	108	103	98.7	94.4	34
36	126	126	128	129	130	124	120	114	107	102	98.2	93.9	36
38	121	122	124	124	126	121	117	112	106	101	97.7	92.5	38
40	116	117	119	120	120	118	115	110	104	100	96.7	91.2	40
44	110	111	112	113	115	115	113	108	102	98.3	95.0	88.7	44
48	105	105	107	108	109	110	109	105	101	97.3	93.2	87.1	48
52	99.6	101	101	102	103	105	105	102	99.3	95.3	91.2	85.0	52
56	95.6	96.2	96.9	96.4	96.6	95.6	94.9	93.9	94.0	93.0	88.8	83.2	56
60	89.8	88.7	88.0	86.9	87.2	86.2	85.5	84.4	84.6	83.6	82.8	81.4	60
64	81.6	80.5	79.8	78.7	79.0	78.0	77.2	76.2	76.4	75.3	74.6	73.6	64
68	74.3	73.3	72.6	71.5	71.8	70.7	70.0	68.9	69.1	68.1	67.4	66.3	68

SCC6500A-HJFJDB_4 LOAD CHART

Boom 114~159m Jib 12m B-J Angle15° SL R 21m SL CWT 250t Rear CWT 210t Carbody CWT 60t Unit: t

R	Boom (m)												R
m	114	117	120	123	126	129	132	135	138	141	144	147	m
17	161*	156*	150*	144*									17
18	161*	156*	150*	144*	134*	129*	124*	118*					18
19	161*	156*	150*	144*	134*	129*	124*	118*	112*	107*	101*	96.2*	19
20	161*	156*	150*	144*	134*	129*	124*	118*	112*	107*	101*	96.2*	20
22	160*	155*	150*	144*	134*	129*	124*	118*	111*	106*	100*	95.9*	22
24	156*	154*	150*	144*	134*	129*	124*	118*	111*	106*	100*	95.7*	24
26	151*	151*	148*	144*	134*	129*	123*	117*	110*	105*	99.9*	95.4*	26
28	145*	146*	147*	144*	134*	129*	123*	117*	110*	105*	99.7*	95.2*	28
30	140*	141*	142*	141*	133*	128*	122*	117*	109*	105*	99.4*	94.9*	30
32	135*	136*	138*	137*	133*	128*	122*	116*	109*	104*	99.0*	94.6*	32
34	131*	131*	133*	133	132	127*	121*	115*	108*	103*	98.7*	94.4*	34
36	126	126	128	129	130	124	120*	114*	107*	102*	98.2*	93.9*	36
38	121	122	124	124	126	121	117	112	106*	101*	97.7*	92.5*	38
40	116	117	119	120	120	118	115	110	104	100*	96.7*	91.2*	40
44	110	111	112	113	115	115	113	108	102	98.3	95.0	88.7	44
48	105	105	107	108	109	110	109	105	101	97.3	93.2	87.1	48
52	99.6	101	101	102	103	105	106	102	99.3	95.3	91.2	85.0	52
56	95.6	96.2	96.9	98.3	99.3	101	102	99.2	97.3	93.8	88.8	83.2	56
60	90.5	92.1	93.0	94.3	95.3	96.3	97.8	95.5	94.4	91.4	86.2	81.4	60
64	87.5	88.5	89.3	90.3	91.8	92.4	93.8	91.7	91.4	88.8	83.3	78.9	64
68	84.5	85.1	85.9	86.9	88.4	87.4	86.9	85.8	85.8	84.8	80.6	76.7	68

SCC6500A-HJFJDB_4 LOAD CHART

Boom 114~159m Jib 12m B-J Angle15° SL R 21m SL CWT 310t Rear CWT 210t Carbody CWT 60t Unit: t

R	Boom (m)												R
m	114	117	120	123	126	129	132	135	138	141	144	147	m
17	161*	156*	150*	144*									17
18	161*	156*	150*	144*	134*	129*	124*	118*					18
19	161*	156*	150*	144*	134*	129*	124*	118*	112*	107*	101*	96.2*	19
20	161*	156*	150*	144*	134*	129*	124*	118*	112*	107*	101*	96.2*	20
22	160*	155*	150*	144*	134*	129*	124*	118*	111*	106*	100*	95.9*	22
24	156*	154*	150*	144*	134*	129*	124*	118*	111*	106*	100*	95.7*	24
26	151*	151*	148*	144*	134*	129*	123*	117*	110*	105*	99.9*	95.4*	26
28	145*	146*	147*	144*	134*	129*	123*	117*	110*	105*	99.7*	95.2*	28
30	140*	141*	142*	141*	133*	128*	122*	117*	109*	105*	99.4*	94.9*	30
32	135*	136*	138*	137*	133*	128*	122*	116*	109*	104*	99.0*	94.6*	32
34	131*	131*	133*	133*	132*	127*	121*	115*	108*	103*	98.7*	94.4*	34
36	126*	126*	128*	129*	130*	124*	120*	114*	107*	102*	98.2*	93.9*	36
38	121*	122*	124*	124*	126*	121*	117*	112*	106*	101*	97.7*	92.5*	38
40	116*	117*	119*	120*	120*	118*	115*	110*	104*	100*	96.7*	91.2*	40
44	110*	111*	112*	113*	115*	115*	113*	108*	102*	98.3*	95.0*	88.7*	44
48	105*	105*	107*	108*	109*	110	109	105*	101*	97.3*	93.2*	87.1*	48
52	99.6*	101	101	102	103	105	106	102	99.3	95.3	91.2*	85.0*	52
56	95.6	96.2	96.9	98.3	99.3	101	102	99.2	97.3	93.8	88.8	83.2	56
60	90.5	92.1	93.0	94.3	95.3	96.3	97.8	95.5	94.4	91.4	86.2	81.4	60
64	87.5	88.5	89.3	90.3	91.8	92.4	93.8	91.7	91.4	88.8	83.3	78.9	64
68	84.5	85.1	85.9	86.9	88.4	87.4	88.4	87.1	86.8	85.1	80.6	76.7	68

SCC6500A-HJFJDB_4 LOAD CHART

Boom 114~159m Jib 12m B-J Angle20° SL R 13m SL CWT 50t Rear CWT 210t Carbody CWT 60t Unit: t

R	Boom (m)												R
m	114	117	120	123	126	129	132	135	138	141	144	147	m
18	129	130	130	130									18
19	127	127	128	128	127	125	120	115					19
20	125	125	126	126	127	125	120	115	110	105	99.2	94.7	20
22	121	121	122	123	123	124	120	115	110	105	98.7	94.2	22
24	117	118	118	119	119	118	116	114	110	105	98.7	94.2	24
26	108	107	107	106	106	105	105	104	104	102	98.7	94.2	26
28	97.4	96.6	96.0	95.1	95.3	94.5	93.9	93.0	93.2	92.3	91.7	89.8	28
30	87.9	87.0	86.4	85.5	85.7	84.8	84.2	83.3	83.5	82.6	82.0	81.1	30
32	79.6	78.7	78.0	77.1	77.4	76.5	75.9	74.9	75.1	74.2	73.6	72.7	32
34	72.3	71.4	70.7	69.8	70.1	69.1	68.5	67.6	67.8	66.9	66.2	65.3	34
36	65.9	64.9	64.3	63.3	63.6	62.7	62.0	61.1	61.3	60.4	59.7	58.8	36
38	60.1	59.2	58.6	57.6	57.9	56.9	56.3	55.3	55.5	54.6	53.9	53.0	38
40	55.0	54.0	53.4	52.4	52.7	51.7	51.1	50.1	50.3	49.4	48.7	47.8	40
44	46.2	45.2	44.6	43.6	43.9	42.9	42.2	41.2	41.4	40.5	39.8	38.8	44
48	38.9	37.9	37.3	36.2	36.5	35.5	34.9	33.9	34.1	33.1	32.4	31.4	48
52	32.8	31.8	31.1	30.1	30.4	29.4	28.7	27.7	27.9	26.9	26.2	25.2	52
56	27.6	26.5	25.8	24.8	25.1	24.1	23.4	22.4	22.6	21.6	20.9	19.9	56
60	23.0	22.0	21.3	20.3	20.6	19.5	18.8	17.8	18.0	17.0	16.3	15.3	60
64	19.1	18.0	17.4	16.3	16.6	15.6	14.9	13.8	14.0	13.0	12.3	11.3	64
68	15.6	14.6	13.9	12.8	13.1	12.1	11.4	10.3	10.5	9.5	8.8	7.8	68
72	12.5	11.5	10.8	9.7	10.0	9.0	8.3	7.2	7.4	6.4	5.7		72

SCC6500A-HJFJDB_4 LOAD CHART

Boom 114~159m Jib 12m B-J Angle20° SL R 13m SL CWT 100t Rear CWT 210t Carbody CWT 60t Unit: t

R	Boom (m)												R
m	114	117	120	123	126	129	132	135	138	141	144	147	m
18	129	130	130	130									18
19	127	127	128	128	127	125	120	115					19
20	125	125	126	126	127	125	120	115	110	105	99.2	94.7	20
22	121	121	122	123	123	124	120	115	110	105	98.7	94.2	22
24	117	118	118	119	120	120	120	114	110	105	98.7	94.2	24
26	114	114	115	116	116	117	117	114	109	104	98.7	94.2	26
28	110	111	112	113	113	114	114	114	109	104	98.2	93.7	28
30	107	108	109	110	110	110	109	108	108	104	98.2	93.3	30
32	103	102	101	101	101	100	99.7	98.8	99.0	98.1	97.5	93.1	32
34	94.7	93.7	93.1	92.2	92.5	91.5	90.9	90.0	90.2	89.3	88.6	87.7	34
36	86.9	86.0	85.4	84.4	84.7	83.7	83.1	82.2	82.4	81.4	80.8	79.9	36
38	80.0	79.1	78.4	77.5	77.8	76.8	76.2	75.2	75.4	74.5	73.8	72.9	38
40	73.9	72.9	72.3	71.3	71.6	70.6	70.0	69.0	69.2	68.2	67.6	66.6	40
44	63.3	62.3	61.6	60.6	60.9	60.0	59.3	58.3	58.5	57.5	56.9	55.9	44
48	54.5	53.5	52.8	51.8	52.1	51.1	50.5	49.5	49.7	48.7	48.0	47.0	48
52	47.1	46.1	45.4	44.4	44.7	43.7	43.0	42.0	42.2	41.2	40.5	39.6	52
56	40.8	39.8	39.1	38.1	38.4	37.4	36.7	35.7	35.9	34.9	34.2	33.2	56
60	35.4	34.4	33.7	32.6	32.9	31.9	31.2	30.2	30.4	29.4	28.7	27.7	60
64	30.6	29.6	28.9	27.9	28.2	27.1	26.4	25.4	25.6	24.6	23.9	22.9	64
68	26.5	25.4	24.7	23.7	24.0	22.9	22.2	21.2	21.4	20.4	19.7	18.7	68
72	22.8	21.7	21.0	20.0	20.3	19.2	18.5	17.5	17.7	16.7	15.9	14.9	72

SCC6500A-HJFJDB_4 LOAD CHART

Boom 114~159m Jib 12m B-J Angle20° SL R 13m SL CWT 150t Rear CWT 210t Carbody CWT 60t Unit: t

R	Boom (m)												R
m	114	117	120	123	126	129	132	135	138	141	144	147	m
18	129	130	130	130									18
19	127	127	128	128	127	125	120	115					19
20	125	125	126	126	127	125	120	115	110	105	99.2	94.7	20
22	121	121	122	123	123	124	120	115	110	105	98.7	94.2	22
24	117	118	118	119	120	120	120	114	110	105	98.7	94.2	24
26	114	114	115	116	116	117	117	114	109	104	98.7	94.2	26
28	110	111	112	113	113	114	114	114	109	104	98.2	93.7	28
30	107	108	109	110	110	111	111	112	108	104	98.2	93.3	30
32	104	105	105	107	107	108	108	109	107	103	97.5	93.1	32
34	100	101	101	103	103	105	104	106	105	102	96.4	92.3	34
36	96.6	97.6	97.1	99.1	99.2	100	101	101	101	98.8	95.3	90.8	36
38	93.2	94.2	94.2	95.6	95.8	96.7	96.1	95.1	95.3	94.4	93.8	90.5	38
40	89.7	90.7	91.1	90.1	90.4	89.5	88.8	87.9	88.1	87.1	86.5	85.5	40
44	80.3	79.3	78.7	77.7	78.0	77.0	76.4	75.4	75.6	74.6	74.0	73.0	44
48	70.1	69.1	68.4	67.4	67.7	66.7	66.1	65.1	65.3	64.3	63.6	62.6	48
52	61.5	60.4	59.8	58.8	59.1	58.1	57.4	56.4	56.6	55.6	54.9	53.9	52
56	54.1	53.1	52.4	51.4	51.7	50.7	50.0	49.0	49.2	48.2	47.5	46.5	56
60	47.7	46.7	46.0	45.0	45.3	44.3	43.6	42.6	42.8	41.8	41.1	40.1	60
64	42.2	41.2	40.5	39.4	39.7	38.7	38.0	37.0	37.2	36.2	35.5	34.5	64
68	37.3	36.3	35.6	34.5	34.8	33.8	33.1	32.1	32.3	31.3	30.6	29.5	68
72	33.0	31.9	31.3	30.2	30.5	29.5	28.8	27.7	27.9	26.9	26.2	25.2	72

SCC6500A-HJFJDB_4 LOAD CHART

Boom 114~159m Jib 12m B-J Angle20° SL R 13m SL CWT 200t Rear CWT 210t Carbody CWT 60t Unit: t

R	Boom (m)												R
m	114	117	120	123	126	129	132	135	138	141	144	147	m
18	129*	130	130	130									18
19	127	127	128	128	127	125	120	115					19
20	125	125	126	126	127	125	120	115	110	105*	99.2*	94.7*	20
22	121	121	122	123	123	124	120	115	110	105	98.7	94.2	22
24	117	118	118	119	120	120	120	114	110	105	98.7	94.2	24
26	114	114	115	116	116	117	117	114	109	104	98.7	94.2	26
28	110	111	112	113	113	114	114	114	109	104	98.2	93.7	28
30	107	108	109	110	110	111	111	112	108	104	98.2	93.3	30
32	104	105	105	107	107	108	108	109	107	103	97.5	93.1	32
34	100	101	101	103	103	105	104	106	105	102	96.4	92.3	34
36	96.6	97.6	97.1	99.1	99.2	100	101	101	101	98.8	95.3	90.8	36
38	93.2	94.2	94.2	95.6	95.8	96.8	97.6	98.0	97.8	97.0	94.2	90.5	38
40	89.7	90.7	91.1	92.1	92.6	93.6	94.1	95.1	94.6	94.0	93.0	89.2	40
44	85.8	86.7	87.5	88.2	89.0	89.7	90.5	91.1	91.1	91.7	91.1	87.2	44
48	81.8	83.1	83.9	83.0	83.3	82.3	81.7	80.7	80.9	79.9	79.2	78.3	48
52	75.8	74.8	74.1	73.1	73.4	72.4	71.7	70.7	70.9	70.0	69.3	68.3	52
56	67.4	66.4	65.7	64.7	65.0	63.9	63.3	62.3	62.5	61.5	60.8	59.8	56
60	60.1	59.1	58.4	57.4	57.7	56.7	56.0	54.9	55.1	54.1	53.4	52.4	60
64	53.8	52.7	52.0	51.0	51.3	50.3	49.6	48.6	48.8	47.8	47.1	46.0	64
68	48.2	47.1	46.5	45.4	45.7	44.7	44.0	43.0	43.2	42.1	41.4	40.4	68
72	43.2	42.2	41.5	40.4	40.8	39.7	39.0	38.0	38.2	37.2	36.4	35.4	72

SCC6500A-HJFJDB_4 LOAD CHART

Boom 114~159m Jib 12m B-J Angle20° SL R 13m SL CWT 200t Rear CWT 210t Carbody CWT 60t Unit: t

R	Boom (m)												R
m	114	117	120	123	126	129	132	135	138	141	144	147	m
76	38.8	37.8	37.1	36.0	36.3	35.3	34.6	33.5	33.7	32.7	32.0	31.0	76
80	34.8	33.8	33.1	32.0	32.3	31.3	30.6	29.5	29.7	28.7	28.0	27.0	80
84	31.2	30.2	29.5	28.4	28.7	27.7	27.0	25.9	26.1	25.1	24.4	23.3	84
88	28.0	26.9	26.2	25.1	25.5	24.4	23.7	22.6	22.9	21.8	21.1	20.1	88
92	25.0	23.9	23.2	22.2	22.5	21.4	20.7	19.7	19.9	18.8	18.1	17.1	92
96	22.2	21.2	20.5	19.4	19.7	18.7	18.0	16.9	17.1	16.1	15.4	14.3	96
100	19.7	18.6	18.0	16.9	17.2	16.2	15.4	14.4	14.6	13.6	12.8	11.8	100
104	17.4	16.3	15.6	14.5	14.9	13.8	13.1	12.1	12.3	11.2	10.5	9.5	104
108	15.2	14.1	13.4	12.4	12.7	11.7	10.9	9.9	10.1	9.1	8.3	7.3	108
112	13.2	12.1	11.4	10.4	10.7	9.6	8.9	7.9	8.1	7.1	6.3	5.3	112
116			9.5	8.5	8.8	7.8	7.1	6.0	6.2	5.2			116
120				6.7	7.1	6.0	5.3						120

SCC6500A-HJFJDB_4 LOAD CHART

Boom 114~159m Jib 12m B-J Angle20° SL R 13m SL CWT 250t Rear CWT 210t Carbody CWT 60t Unit: t

R	Boom (m)												R
m	114	117	120	123	126	129	132	135	138	141	144	147	m
18	129*	130*	130*	130*									18
19	127*	127*	128*	128*	127*	125*	120*	115*					19
20	125*	125*	126*	126*	127*	125*	120*	115*	110*	105*	99.2*	94.7*	20
22	121*	121*	122*	123*	123*	124*	120*	115*	110*	105*	98.7*	94.2*	22
24	117*	118	118	119	120	120	120	114	110*	105*	98.7*	94.2*	24
26	114	114	115	116	116	117	117	114	109	104	98.7	94.2*	26
28	110	111	112	113	113	114	114	114	109	104	98.2	93.7	28
30	107	108	109	110	110	111	111	112	108	104	98.2	93.3	30
32	104	105	105	107	107	108	108	109	107	103	97.5	93.1	32
34	100	101	101	103	103	105	104	106	105	102	96.4	92.3	34
36	96.6	97.6	97.1	99.1	99.2	100	101	101	101	98.8	95.3	90.8	36
38	93.2	94.2	94.2	95.6	95.8	96.8	97.6	98.0	97.8	97.0	94.2	90.5	38
40	89.7	90.7	91.1	92.1	92.6	93.6	94.1	95.1	94.6	94.0	93.0	89.2	40
44	85.8	86.7	87.5	88.2	89.0	89.7	90.5	91.1	91.1	92.1	91.1	87.2	44
48	81.8	83.1	83.9	84.6	85.4	86.0	86.8	87.5	88.0	88.8	89.2	85.4	48
52	78.9	79.9	80.4	81.3	81.8	82.8	83.3	84.3	84.8	84.3	83.6	82.6	52
56	76.2	76.9	77.7	77.9	78.2	77.2	76.6	75.6	75.8	74.8	74.1	73.1	56
60	72.5	71.4	70.8	69.7	70.0	69.0	68.3	67.3	67.5	66.5	65.8	64.8	60
64	65.3	64.3	63.6	62.6	62.9	61.9	61.2	60.1	60.3	59.3	58.6	57.6	64
68	59.0	58.0	57.3	56.3	56.6	55.6	54.9	53.8	54.0	53.0	52.3	51.3	68
72	53.5	52.4	51.7	50.7	51.0	50.0	49.3	48.2	48.4	47.4	46.7	45.7	72

SCC6500A-HJFJDB_4 LOAD CHART

Boom 114~159m Jib 12m B-J Angle20° SL R 13m SL CWT 250t Rear CWT 210t Carbody CWT 60t Unit: t

R	Boom (m)												R
m	114	117	120	123	126	129	132	135	138	141	144	147	m
76	48.5	47.4	46.8	45.7	46.0	45.0	44.3	43.2	43.4	42.4	41.7	40.7	76
80	44.0	43.0	42.3	41.2	41.5	40.5	39.8	38.7	38.9	37.9	37.2	36.2	80
84	40.0	38.9	38.2	37.2	37.5	36.4	35.7	34.7	34.9	33.9	33.1	32.1	84
88	36.3	35.2	34.5	33.5	33.8	32.7	32.0	31.0	31.2	30.2	29.4	28.4	88
92	32.9	31.9	31.2	30.1	30.4	29.4	28.7	27.6	27.8	26.8	26.1	25.0	92
96	29.9	28.8	28.1	27.0	27.4	26.3	25.6	24.5	24.8	23.7	23.0	21.9	96
100	27.0	26.0	25.3	24.2	24.5	23.5	22.8	21.7	21.9	20.9	20.2	19.1	100
104	24.4	23.3	22.6	21.6	21.9	20.8	20.1	19.1	19.3	18.3	17.5	16.5	104
108	21.9	20.9	20.2	19.1	19.5	18.4	17.7	16.6	16.9	15.8	15.1	14.1	108
112	19.7	18.6	17.9	16.9	17.2	16.2	15.4	14.4	14.6	13.6	12.8	11.8	112
116			15.8	14.7	15.1	14.0	13.3	12.3	12.5	11.5	10.7	9.7	116
120				12.7	13.1	12.1	11.4	10.3	10.6	9.5	8.8	7.7	120
124						10.2	9.5	8.5	8.7	7.7	6.9	5.9	124
128							7.8	6.7	7.0	5.9	5.2		128
132									5.3				132

SCC6500A-HJFJDB_4 LOAD CHART

Boom 114~159m Jib 12m B-J Angle20° SL R 13m SL CWT 310t Rear CWT 210t Carbody CWT 60t Unit: t

R	Boom (m)												R
m	114	117	120	123	126	129	132	135	138	141	144	147	m
18	129*	130*	130*	130*									18
19	127*	127*	128*	128*	127*	125*	120*	115*					19
20	125*	125*	126*	126*	127*	125*	120*	115*	110*	105*	99.2*	94.7*	20
22	121*	121*	122*	123*	123*	124*	120*	115*	110*	105*	98.7*	94.2*	22
24	117*	118*	118*	119*	120*	120*	120*	114*	110*	105*	98.7*	94.2*	24
26	114*	114*	115*	116*	116*	117*	117*	114*	109*	104*	98.7*	94.2*	26
28	110*	111*	112*	113*	113*	114*	114*	114*	109*	104*	98.2*	93.7*	28
30	107*	108*	109*	110*	110*	111*	111*	112	108*	104*	98.2*	93.3*	30
32	104*	105*	105	107	107	108	108	109	107	103	97.5*	93.1*	32
34	100	101	101	103	103	105	104	106	105	102	96.4	92.3	34
36	96.6	97.6	97.1	99.1	99.2	100	101	101	101	98.8	95.3	90.8	36
38	93.2	94.2	94.2	95.6	95.8	96.8	97.6	98.0	97.8	97.0	94.2	90.5	38
40	89.7	90.7	91.1	92.1	92.6	93.6	94.1	95.1	94.6	94.0	93.0	89.2	40
44	85.8	86.7	87.5	88.2	89.0	89.7	90.5	91.1	91.1	92.1	91.1	87.2	44
48	81.8	83.1	83.9	84.6	85.4	86.0	86.8	87.5	88.0	88.8	89.2	85.4	48
52	78.9	79.9	80.4	81.3	81.8	82.8	83.3	84.3	84.8	85.3	86.2	83.8	52
56	76.2	76.9	77.7	78.4	79.2	79.9	80.4	81.3	82.0	82.5	83.2	82.1	56
60	73.6	74.3	75.1	75.8	76.5	77.1	77.9	78.5	80.4	79.5	80.5	79.7	60
64	71.1	71.5	72.5	73.0	74.0	74.5	75.0	74.0	74.2	73.2	72.5	71.5	64
68	68.8	69.6	70.2	69.3	69.6	68.6	67.9	66.9	67.1	66.1	65.4	64.4	68
72	65.8	64.7	64.0	63.0	63.3	62.3	61.6	60.5	60.7	59.7	59.0	58.0	72

SCC6500A-HJFJDB_4 LOAD CHART

Boom 114~159m Jib 12m B-J Angle20° SL R 15m SL CWT 50t Rear CWT 210t Carbody CWT 60t Unit: t

R	Boom (m)												R
m	114	117	120	123	126	129	132	135	138	141	144	147	m
18	129	130	130	130									18
19	127	127	128	128	127	125	120	115					19
20	125	125	126	126	127	125	120	115	110	105	99.2	94.7	20
22	121	121	122	123	123	124	120	115	110	105	98.7	94.2	22
24	117	118	118	119	120	120	120	114	110	105	98.7	94.2	24
26	113	113	112	111	111	111	110	109	108	104	98.7	94.2	26
28	102	101	100	100	100	99.4	98.8	97.9	98.1	97.2	95.8	93.7	28
30	92.5	91.6	91.0	90.1	90.3	89.4	88.8	87.9	88.1	87.2	86.6	85.7	30
32	83.9	83.0	82.3	81.4	81.7	80.8	80.1	79.2	79.4	78.5	77.9	77.0	32
34	76.3	75.4	74.8	73.8	74.1	73.2	72.5	71.6	71.8	70.9	70.2	69.3	34
36	69.7	68.7	68.1	67.1	67.4	66.5	65.8	64.9	65.1	64.1	63.5	62.6	36
38	63.8	62.8	62.2	61.2	61.5	60.5	59.8	58.9	59.1	58.1	57.5	56.5	38
40	58.4	57.5	56.8	55.8	56.1	55.2	54.5	53.5	53.7	52.8	52.1	51.2	40
44	49.3	48.3	47.7	46.7	47.0	46.0	45.3	44.3	44.5	43.5	42.9	41.9	44
48	41.8	40.8	40.1	39.1	39.4	38.4	37.7	36.7	36.9	35.9	35.2	34.2	48
52	35.4	34.4	33.7	32.7	33.0	32.0	31.3	30.3	30.5	29.5	28.8	27.8	52
56	30.0	29.0	28.3	27.3	27.5	26.5	25.8	24.8	25.0	24.0	23.3	22.3	56
60	25.3	24.3	23.6	22.5	22.8	21.8	21.1	20.1	20.3	19.3	18.6	17.6	60
64	21.2	20.2	19.5	18.4	18.7	17.7	17.0	16.0	16.2	15.1	14.4	13.4	64
68	17.6	16.6	15.9	14.8	15.1	14.1	13.4	12.3	12.5	11.5	10.8	9.8	68
72	14.4	13.4	12.7	11.6	11.9	10.9	10.2	9.1	9.3	8.3	7.6	6.5	72

SCC6500A-HJFJDB_4 LOAD CHART

Boom 114~159m Jib 12m B-J Angle20° SL R 15m SL CWT 100t Rear CWT 210t Carbody CWT 60t Unit: t

R	Boom (m)												R
m	114	117	120	123	126	129	132	135	138	141	144	147	m
18	129	130	130	130									18
19	127	127	128	128	127	125	120	115					19
20	125	125	126	126	127	125	120	115	110	105	99.2	94.7	20
22	121	121	122	123	123	124	120	115	110	105	98.7	94.2	22
24	117	118	118	119	120	120	120	114	110	105	98.7	94.2	24
26	114	114	115	116	116	117	117	114	109	104	98.7	94.2	26
28	110	111	112	113	113	114	114	114	109	104	98.2	93.7	28
30	107	108	109	110	110	111	111	112	108	104	98.2	93.3	30
32	104	105	105	107	107	108	107	106	106	103	97.5	93.1	32
34	100	100	100	99.4	99.6	98.7	98.1	97.1	97.3	96.4	95.8	92.3	34
36	93.7	92.7	92.1	91.2	91.4	90.5	89.9	88.9	89.1	88.2	87.5	86.6	36
38	86.4	85.5	84.8	83.9	84.2	83.2	82.6	81.6	81.8	80.9	80.2	79.3	38
40	79.9	79.0	78.3	77.4	77.6	76.7	76.0	75.1	75.2	74.3	73.6	72.7	40
44	68.8	67.8	67.1	66.2	66.4	65.4	64.8	63.8	64.0	63.0	62.4	61.4	44
48	59.6	58.5	57.9	56.9	57.2	56.2	55.5	54.5	54.7	53.7	53.0	52.0	48
52	51.8	50.8	50.1	49.1	49.4	48.4	47.7	46.7	46.9	45.9	45.2	44.2	52
56	45.1	44.1	43.4	42.4	42.7	41.7	41.0	40.0	40.2	39.2	38.5	37.5	56
60	39.4	38.4	37.7	36.7	37.0	35.9	35.2	34.2	34.4	33.4	32.7	31.7	60
64	34.4	33.4	32.7	31.6	31.9	30.9	30.2	29.2	29.4	28.4	27.6	26.6	64
68	30.0	29.0	28.3	27.2	27.5	26.5	25.8	24.7	24.9	23.9	23.2	22.2	68
72	26.1	25.1	24.4	23.3	23.6	22.6	21.9	20.8	21.0	20.0	19.3	18.2	72

SCC6500A-HJFJDB_4 LOAD CHART

Boom 114~159m Jib 12m B-J Angle20° SL R 15m SL CWT 150t Rear CWT 210t Carbody CWT 60t Unit: t

R	Boom (m)												R
m	114	117	120	123	126	129	132	135	138	141	144	147	m
18	129	130	130	130									18
19	127	127	128	128	127	125	120	115					19
20	125	125	126	126	127	125	120	115	110	105	99.2	94.7	20
22	121	121	122	123	123	124	120	115	110	105	98.7	94.2	22
24	117	118	118	119	120	120	120	114	110	105	98.7	94.2	24
26	114	114	115	116	116	117	117	114	109	104	98.7	94.2	26
28	110	111	112	113	113	114	114	114	109	104	98.2	93.7	28
30	107	108	109	110	110	111	111	112	108	104	98.2	93.3	30
32	104	105	105	107	107	108	108	109	107	103	97.5	93.1	32
34	100	101	101	103	103	105	104	106	105	102	96.4	92.3	34
36	96.6	97.6	97.1	99.1	99.2	100	101	101	101	98.8	95.3	90.8	36
38	93.2	94.2	94.2	95.6	95.8	96.8	97.6	98.0	97.8	97.0	94.2	90.5	38
40	89.7	90.7	91.1	92.1	92.6	93.6	94.1	95.1	94.6	94.0	93.0	89.2	40
44	85.8	86.7	86.6	85.6	85.9	84.9	84.3	83.3	83.5	82.5	81.8	80.9	44
48	77.3	76.3	75.7	74.7	74.9	74.0	73.3	72.3	72.5	71.5	70.8	69.8	48
52	68.1	67.1	66.5	65.4	65.7	64.7	64.0	63.0	63.2	62.2	61.6	60.6	52
56	60.3	59.3	58.6	57.6	57.9	56.8	56.2	55.1	55.3	54.3	53.6	52.6	56
60	53.5	52.5	51.8	50.8	51.1	50.0	49.3	48.3	48.5	47.5	46.8	45.8	60
64	47.6	46.6	45.9	44.8	45.1	44.1	43.4	42.4	42.6	41.6	40.9	39.8	64
68	42.4	41.4	40.7	39.6	39.9	38.9	38.2	37.2	37.4	36.3	35.6	34.6	68
72	37.8	36.7	36.1	35.0	35.3	34.3	33.5	32.5	32.7	31.7	31.0	29.9	72

SCC6500A-HJFJDB_4 LOAD CHART

Boom 114~159m Jib 12m B-J Angle20° SL R 15m SL CWT 200t Rear CWT 210t Carbody CWT 60t Unit: t

R	Boom (m)											R	
m	114	117	120	123	126	129	132	135	138	141	144	147	m
18	129*	130*	130*	130*									18
19	127*	127*	128*	128*	127*	125*	120*	115*					19
20	125*	125*	126*	126*	127*	125*	120*	115*	110*	105*	99.2*	94.7*	20
22	121	121	122	123	123	124	120	115	110*	105*	98.7*	94.2*	22
24	117	118	118	119	120	120	120	114	110	105	98.7	94.2*	24
26	114	114	115	116	116	117	117	114	109	104	98.7	94.2	26
28	110	111	112	113	113	114	114	114	109	104	98.2	93.7	28
30	107	108	109	110	110	111	111	112	108	104	98.2	93.3	30
32	104	105	105	107	107	108	108	109	107	103	97.5	93.1	32
34	100	101	101	103	103	105	104	106	105	102	96.4	92.3	34
36	96.6	97.6	97.1	99.1	99.2	100	101	101	101	98.8	95.3	90.8	36
38	93.2	94.2	94.2	95.6	95.8	96.8	97.6	98.0	97.8	97.0	94.2	90.5	38
40	89.7	90.7	91.1	92.1	92.6	93.6	94.1	95.1	94.6	94.0	93.0	89.2	40
44	85.8	86.7	87.5	88.2	89.0	89.7	90.5	91.1	91.1	92.1	91.1	87.2	44
48	81.8	83.1	83.9	84.6	85.4	86.0	86.8	87.5	88.0	88.8	88.6	85.4	48
52	78.9	79.9	80.4	81.3	81.8	81.1	80.4	79.4	79.6	78.6	77.9	76.9	52
56	75.4	74.4	73.7	72.7	73.0	72.0	71.3	70.3	70.5	69.5	68.8	67.8	56
60	67.6	66.6	65.9	64.9	65.2	64.2	63.5	62.4	62.6	61.6	60.9	59.9	60
64	60.8	59.8	59.1	58.0	58.3	57.3	56.6	55.6	55.8	54.8	54.1	53.1	64
68	54.8	53.8	53.1	52.0	52.3	51.3	50.6	49.6	49.8	48.7	48.0	47.0	68
72	49.5	48.4	47.7	46.7	47.0	46.0	45.2	44.2	44.4	43.4	42.7	41.7	72

SCC6500A-HJFJDB_4 LOAD CHART

Boom 114~159m Jib 12m B-J Angle20° SL R 15m SL CWT 200t Rear CWT 210t Carbody CWT 60t Unit: t

R	Boom (m)												R
m	114	117	120	123	126	129	132	135	138	141	144	147	m
76	44.7	43.7	43.0	41.9	42.2	41.2	40.5	39.4	39.6	38.6	37.9	36.9	76
80	40.5	39.4	38.7	37.6	37.9	36.9	36.2	35.1	35.4	34.3	33.6	32.6	80
84	36.6	35.5	34.8	33.8	34.1	33.0	32.3	31.3	31.5	30.4	29.7	28.7	84
88	33.1	32.0	31.3	30.2	30.6	29.5	28.8	27.7	28.0	26.9	26.2	25.1	88
92	29.9	28.8	28.1	27.0	27.4	26.3	25.6	24.5	24.7	23.7	23.0	21.9	92
96	26.9	25.8	25.1	24.1	24.4	23.3	22.6	21.6	21.8	20.8	20.0	19.0	96
100	24.2	23.1	22.4	21.4	21.7	20.6	19.9	18.9	19.1	18.0	17.3	16.3	100
104	21.7	20.6	19.9	18.9	19.2	18.1	17.4	16.4	16.6	15.5	14.8	13.8	104
108	19.3	18.3	17.6	16.5	16.9	15.8	15.1	14.0	14.3	13.2	12.5	11.4	108
112	17.2	16.1	15.4	14.4	14.7	13.6	12.9	11.9	12.1	11.1	10.3	9.3	112
116			13.4	12.3	12.7	11.6	10.9	9.9	10.1	9.0	8.3	7.3	116
120				10.4	10.8	9.7	9.0	8.0	8.2	7.2	6.4	5.4	120
124						8.0	7.2	6.2	6.4	5.4			124
128							5.6						128

SCC6500A-HJFJDB_4 LOAD CHART

Boom 114~159m Jib 12m B-J Angle20° SL R 15m SL CWT 250t Rear CWT 210t Carbody CWT 60t Unit: t

R	Boom (m)												R
m	114	117	120	123	126	129	132	135	138	141	144	147	m
18	129*	130*	130*	130*									18
19	127*	127*	128*	128*	127*	125*	120*	115*					19
20	125*	125*	126*	126*	127*	125*	120*	115*	110*	105*	99.2*	94.7*	20
22	121*	121*	122*	123*	123*	124*	120*	115*	110*	105*	98.7*	94.2*	22
24	117*	118*	118*	119*	120*	120*	120*	114*	110*	105*	98.7*	94.2*	24
26	114*	114*	115*	116*	116*	117*	117*	114*	109*	104*	98.7*	94.2*	26
28	110*	111*	112*	113	113	114	114	114	109*	104*	98.2*	93.7*	28
30	107	108	109	110	110	111	111	112	108	104	98.2	93.3*	30
32	104	105	105	107	107	108	108	109	107	103	97.5	93.1	32
34	100	101	101	103	103	105	104	106	105	102	96.4	92.3	34
36	96.6	97.6	97.1	99.1	99.2	100	101	101	101	98.8	95.3	90.8	36
38	93.2	94.2	94.2	95.6	95.8	96.8	97.6	98.0	97.8	97.0	94.2	90.5	38
40	89.7	90.7	91.1	92.1	92.6	93.6	94.1	95.1	94.6	94.0	93.0	89.2	40
44	85.8	86.7	87.5	88.2	89.0	89.7	90.5	91.1	91.1	92.1	91.1	87.2	44
48	81.8	83.1	83.9	84.6	85.4	86.0	86.8	87.5	88.0	88.8	89.2	85.4	48
52	78.9	79.9	80.4	81.3	81.8	82.8	83.3	84.3	84.8	85.3	86.2	83.8	52
56	76.2	76.9	77.7	78.4	79.2	79.9	80.4	81.3	82.0	82.5	83.2	82.1	56
60	73.6	74.3	75.1	75.8	76.5	77.1	77.6	76.6	76.8	75.8	75.1	74.1	60
64	71.1	71.5	72.3	71.2	71.5	70.5	69.8	68.8	69.0	68.0	67.3	66.3	64
68	67.2	66.2	65.5	64.4	64.7	63.7	63.0	62.0	62.2	61.2	60.4	59.4	68
72	61.2	60.1	59.4	58.4	58.7	57.6	56.9	55.9	56.1	55.1	54.4	53.4	72

SCC6500A-HJFJDB_4 LOAD CHART

Boom 114~159m Jib 12m B-J Angle20° SL R 15m SL CWT 310t Rear CWT 210t Carbody CWT 60t Unit: t

R	Boom (m)												R
m	114	117	120	123	126	129	132	135	138	141	144	147	m
18	129*	130*	130*	130*									18
19	127*	127*	128*	128*	127*	125*	120*	115*					19
20	125*	125*	126*	126*	127*	125*	120*	115*	110*	105*	99.2*	94.7*	20
22	121*	121*	122*	123*	123*	124*	120*	115*	110*	105*	98.7*	94.2*	22
24	117*	118*	118*	119*	120*	120*	120*	114*	110*	105*	98.7*	94.2*	24
26	114*	114*	115*	116*	116*	117*	117*	114*	109*	104*	98.7*	94.2*	26
28	110*	111*	112*	113*	113*	114*	114*	114*	109*	104*	98.2*	93.7*	28
30	107*	108*	109*	110*	110*	111*	111*	112*	108*	104*	98.2*	93.3*	30
32	104*	105*	105*	107*	107*	108*	108*	109*	107*	103*	97.5*	93.1*	32
34	100*	101*	101*	103*	103*	105*	104*	106*	105*	102*	96.4*	92.3*	34
36	96.6*	97.6*	97.1*	99.1*	99.2*	100*	101*	101*	101*	98.8*	95.3*	90.8*	36
38	93.2*	94.2*	94.2*	95.6*	95.8*	96.8*	97.6	98.0	97.8	97.0	94.2	90.5*	38
40	89.7*	90.7*	91.1*	92.1	92.6	93.6	94.1	95.1	94.6	94.0	93.0	89.2	40
44	85.8	86.7	87.5	88.2	89.0	89.7	90.5	91.1	91.1	92.1	91.1	87.2	44
48	81.8	83.1	83.9	84.6	85.4	86.0	86.8	87.5	88.0	88.8	89.2	85.4	48
52	78.9	79.9	80.4	81.3	81.8	82.8	83.3	84.3	84.8	85.3	86.2	83.8	52
56	76.2	76.9	77.7	78.4	79.2	79.9	80.4	81.3	82.0	82.5	83.2	82.1	56
60	73.6	74.3	75.1	75.8	76.5	77.1	77.9	78.5	80.4	79.5	80.5	80.0	60
64	71.1	71.5	72.5	73.0	74.0	74.5	75.6	76.0	79.2	76.9	77.9	78.4	64
68	68.8	69.6	70.2	71.1	71.6	72.1	73.1	73.6	77.1	74.6	75.3	74.3	68
72	66.6	67.6	68.1	69.1	69.6	70.1	70.9	69.9	70.2	69.1	68.4	67.4	72

SCC6500A-HJFJDB_4 LOAD CHART

Boom 114~159m Jib 12m B-J Angle20° SL R 17m SL CWT 50t Rear CWT 210t Carbody CWT 60t Unit: t

R	Boom (m)												R
m	114	117	120	123	126	129	132	135	138	141	144	147	m
18	129	130	130	130									18
19	127	127	128	128	127	125	120	115					19
20	125	125	126	126	127	125	120	115	110	105	99.2	94.7	20
22	121	121	122	123	123	124	120	115	110	105	98.7	94.2	22
24	117	118	118	119	120	120	120	114	110	105	98.7	94.2	24
26	114	114	115	116	116	116	115	113	109	104	98.7	94.2	26
28	107	106	105	105	105	104	103	102	103	102	98.2	93.7	28
30	97.1	96.2	95.6	94.7	94.9	94.0	93.4	92.5	92.7	91.8	91.2	90.3	30
32	88.2	87.3	86.7	85.7	86.0	85.1	84.4	83.5	83.7	82.8	82.2	81.2	32
34	80.4	79.5	78.8	77.9	78.1	77.2	76.6	75.6	75.8	74.9	74.3	73.3	34
36	73.5	72.6	71.9	71.0	71.2	70.3	69.6	68.7	68.9	67.9	67.3	66.4	36
38	67.4	66.4	65.8	64.8	65.1	64.1	63.5	62.5	62.7	61.7	61.1	60.1	38
40	61.9	60.9	60.3	59.3	59.5	58.6	57.9	57.0	57.1	56.2	55.5	54.6	40
44	52.5	51.5	50.8	49.8	50.1	49.1	48.4	47.4	47.6	46.6	46.0	45.0	44
48	44.6	43.6	43.0	41.9	42.2	41.2	40.5	39.5	39.7	38.8	38.1	37.1	48
52	38.1	37.0	36.4	35.3	35.6	34.6	33.9	32.9	33.1	32.1	31.4	30.4	52
56	32.5	31.4	30.7	29.7	30.0	29.0	28.3	27.3	27.4	26.4	25.7	24.7	56
60	27.6	26.6	25.9	24.8	25.1	24.1	23.4	22.4	22.6	21.5	20.8	19.8	60
64	23.4	22.3	21.6	20.6	20.9	19.8	19.1	18.1	18.3	17.3	16.6	15.5	64
68	19.6	18.6	17.9	16.8	17.1	16.1	15.4	14.3	14.5	13.5	12.8	11.8	68
72	16.3	15.3	14.6	13.5	13.8	12.8	12.1	11.0	11.2	10.2	9.5	8.4	72

SCC6500A-HJFJDB_4 LOAD CHART

Boom 114~159m Jib 12m B-J Angle20° SL R 17m SL CWT 100t Rear CWT 210t Carbody CWT 60t Unit: t

R	Boom (m)												R
m	114	117	120	123	126	129	132	135	138	141	144	147	m
18	129	130	130	130									18
19	127	127	128	128	127	125	120	115					19
20	125	125	126	126	127	125	120	115	110	105	99.2	94.7	20
22	121	121	122	123	123	124	120	115	110	105	98.7	94.2	22
24	117	118	118	119	120	120	120	114	110	105	98.7	94.2	24
26	114	114	115	116	116	117	117	114	109	104	98.7	94.2	26
28	110	111	112	113	113	114	114	114	109	104	98.2	93.7	28
30	107	108	109	110	110	111	111	112	108	104	98.2	93.3	30
32	104	105	105	107	107	108	108	109	107	103	97.5	93.1	32
34	100	101	101	103	103	105	104	104	104	102	96.4	92.3	34
36	96.6	97.6	97.1	97.9	98.2	97.3	96.6	95.7	95.9	94.9	94.3	90.8	36
38	92.9	91.9	91.3	90.3	90.6	89.6	89.0	88.0	88.2	87.2	86.6	85.6	38
40	86.0	85.1	84.4	83.4	83.7	82.7	82.1	81.1	81.3	80.4	79.7	78.7	40
44	74.3	73.3	72.7	71.7	71.9	71.0	70.3	69.3	69.5	68.5	67.9	66.9	44
48	64.6	63.6	62.9	61.9	62.2	61.2	60.5	59.5	59.7	58.7	58.1	57.1	48
52	56.4	55.4	54.7	53.7	54.0	53.0	52.3	51.3	51.5	50.5	49.8	48.8	52
56	49.5	48.4	47.8	46.7	47.0	46.0	45.3	44.3	44.5	43.5	42.8	41.8	56
60	43.5	42.4	41.7	40.7	41.0	39.9	39.2	38.2	38.4	37.4	36.7	35.7	60
64	38.2	37.2	36.5	35.4	35.7	34.7	34.0	32.9	33.1	32.1	31.4	30.4	64
68	33.6	32.5	31.8	30.8	31.1	30.0	29.3	28.3	28.5	27.5	26.7	25.7	68
72	29.5	28.4	27.7	26.7	27.0	25.9	25.2	24.2	24.4	23.3	22.6	21.6	72

SCC6500A-HJFJDB_4 LOAD CHART

Boom 114~159m Jib 12m B-J Angle20° SL R 17m SL CWT 150t Rear CWT 210t Carbody CWT 60t Unit: t

R	Boom (m)												R
m	114	117	120	123	126	129	132	135	138	141	144	147	m
18	129	130	130	130									18
19	127	127	128	128	127	125	120	115					19
20	125	125	126	126	127	125	120	115	110	105	99.2*	94.7*	20
22	121	121	122	123	123	124	120	115	110	105	98.7	94.2	22
24	117	118	118	119	120	120	120	114	110	105	98.7	94.2	24
26	114	114	115	116	116	117	117	114	109	104	98.7	94.2	26
28	110	111	112	113	113	114	114	114	109	104	98.2	93.7	28
30	107	108	109	110	110	111	111	112	108	104	98.2	93.3	30
32	104	105	105	107	107	108	108	109	107	103	97.5	93.1	32
34	100	101	101	103	103	105	104	106	105	102	96.4	92.3	34
36	96.6	97.6	97.1	99.1	99.2	100	101	101	101	98.8	95.3	90.8	36
38	93.2	94.2	94.2	95.6	95.8	96.8	97.6	98.0	97.8	97.0	94.2	90.5	38
40	89.7	90.7	91.1	92.1	92.6	93.6	94.1	95.1	94.6	94.0	93.0	89.2	40
44	85.8	86.7	87.5	88.2	89.0	89.7	90.5	91.1	91.1	90.4	89.7	87.2	44
48	81.8	83.1	82.9	81.9	82.2	81.2	80.5	79.5	79.7	78.7	78.0	77.1	48
52	74.8	73.8	73.1	72.1	72.4	71.4	70.7	69.7	69.9	68.9	68.2	67.2	52
56	66.5	65.5	64.8	63.8	64.0	63.0	62.3	61.3	61.5	60.5	59.8	58.8	56
60	59.3	58.3	57.6	56.5	56.8	55.8	55.1	54.1	54.3	53.3	52.6	51.6	60
64	53.0	52.0	51.3	50.2	50.5	49.5	48.8	47.8	48.0	47.0	46.2	45.2	64
68	47.5	46.5	45.8	44.7	45.0	44.0	43.3	42.2	42.4	41.4	40.7	39.7	68
72	42.6	41.5	40.9	39.8	40.1	39.1	38.3	37.3	37.5	36.5	35.8	34.7	72

SCC6500A-HJFJDB_4 LOAD CHART

Boom 114~159m Jib 12m B-J Angle20° SL R 17m SL CWT 150t Rear CWT 210t Carbody CWT 60t Unit: t

R	Boom (m)												R
m	114	117	120	123	126	129	132	135	138	141	144	147	m
76	38.2	37.2	36.5	35.4	35.7	34.7	33.9	32.9	33.1	32.1	31.4	30.3	76
80	34.3	33.2	32.5	31.5	31.8	30.7	30.0	28.9	29.2	28.1	27.4	26.4	80
84	30.7	29.7	29.0	27.9	28.2	27.1	26.4	25.4	25.6	24.5	23.8	22.8	84
88	27.5	26.4	25.7	24.6	25.0	23.9	23.2	22.1	22.3	21.3	20.6	19.5	88
92	24.5	23.5	22.8	21.7	22.0	20.9	20.2	19.2	19.4	18.3	17.6	16.6	92
96	21.8	20.7	20.0	19.0	19.3	18.2	17.5	16.5	16.7	15.6	14.9	13.8	96
100	19.3	18.2	17.5	16.5	16.8	15.7	15.0	14.0	14.2	13.1	12.4	11.3	100
104	17.0	15.9	15.2	14.2	14.5	13.4	12.7	11.6	11.9	10.8	10.1	9.0	104
108	14.8	13.8	13.1	12.0	12.3	11.3	10.6	9.5	9.7	8.7	7.9	6.9	108
112	12.8	11.8	11.1	10.0	10.4	9.3	8.6	7.5	7.7	6.7	6.0		112
116			9.2	8.1	8.5	7.4	6.7	5.7	5.9				116
120				6.4	6.7	5.7	5.0						120

SCC6500A-HJFJDB_4 LOAD CHART

Boom 114~159m Jib 12m B-J Angle20° SL R 17m SL CWT 200t Rear CWT 210t Carbody CWT 60t Unit: t

R	Boom (m)												R
m	114	117	120	123	126	129	132	135	138	141	144	147	m
18	129*	130*	130*	130*									18
19	127*	127*	128*	128*	127*	125*	120*	115*					19
20	125*	125*	126*	126*	127*	125*	120*	115*	110*	105*	99.2*	94.7*	20
22	121*	121*	122*	123*	123*	124*	120*	115*	110*	105*	98.7*	94.2*	22
24	117*	118*	118*	119*	120*	120*	120	114*	110*	105*	98.7*	94.2*	24
26	114	114	115	116	116	117	117	114	109	104*	98.7*	94.2*	26
28	110	111	112	113	113	114	114	114	109	104	98.2	93.7	28
30	107	108	109	110	110	111	111	112	108	104	98.2	93.3	30
32	104	105	105	107	107	108	108	109	107	103	97.5	93.1	32
34	100	101	101	103	103	105	104	106	105	102	96.4	92.3	34
36	96.6	97.6	97.1	99.1	99.2	100	101	101	101	98.8	95.3	90.8	36
38	93.2	94.2	94.2	95.6	95.8	96.8	97.6	98.0	97.8	97.0	94.2	90.5	38
40	89.7	90.7	91.1	92.1	92.6	93.6	94.1	95.1	94.6	94.0	93.0	89.2	40
44	85.8	86.7	87.5	88.2	89.0	89.7	90.5	91.1	91.1	92.1	91.1	87.2	44
48	81.8	83.1	83.9	84.6	85.4	86.0	86.8	87.5	88.0	88.8	89.2	85.4	48
52	78.9	79.9	80.4	81.3	81.8	82.8	83.3	84.3	84.8	85.3	86.2	83.8	52
56	76.2	76.9	77.7	78.4	79.2	79.9	79.4	78.4	78.5	77.5	76.8	75.9	56
60	73.6	74.1	73.4	72.4	72.7	71.7	71.0	69.9	70.1	69.1	68.4	67.4	60
64	67.9	66.8	66.1	65.1	65.4	64.3	63.6	62.6	62.8	61.8	61.1	60.1	64
68	61.4	60.4	59.7	58.6	58.9	57.9	57.2	56.2	56.4	55.4	54.6	53.6	68
72	55.7	54.7	54.0	52.9	53.2	52.2	51.5	50.4	50.7	49.6	48.9	47.9	72

SCC6500A-HJFJDB_4 LOAD CHART

Boom 114~159m Jib 12m B-J Angle20° SL R 17m SL CWT 200t Rear CWT 210t Carbody CWT 60t Unit: t

R	Boom (m)												R
m	114	117	120	123	126	129	132	135	138	141	144	147	m
76	50.7	49.6	48.9	47.8	48.1	47.1	46.4	45.3	45.5	44.5	43.8	42.8	76
80	46.1	45.0	44.3	43.3	43.6	42.5	41.8	40.7	41.0	39.9	39.2	38.2	80
84	41.9	40.9	40.2	39.1	39.4	38.4	37.7	36.6	36.8	35.8	35.0	34.0	84
88	38.2	37.1	36.4	35.3	35.7	34.6	33.9	32.8	33.0	32.0	31.3	30.2	88
92	34.7	33.7	33.0	31.9	32.2	31.2	30.4	29.4	29.6	28.6	27.8	26.8	92
96	31.6	30.5	29.8	28.8	29.1	28.0	27.3	26.2	26.5	25.4	24.7	23.6	96
100	28.7	27.6	26.9	25.9	26.2	25.1	24.4	23.3	23.6	22.5	21.8	20.7	100
104	26.0	24.9	24.2	23.2	23.5	22.4	21.7	20.7	20.9	19.8	19.1	18.1	104
108	23.5	22.4	21.7	20.7	21.0	20.0	19.2	18.2	18.4	17.4	16.6	15.6	108
112	21.2	20.1	19.4	18.4	18.7	17.7	16.9	15.9	16.1	15.1	14.3	13.3	112
116			17.3	16.2	16.5	15.5	14.8	13.7	14.0	12.9	12.2	11.1	116
120				14.2	14.5	13.5	12.8	11.7	11.9	10.9	10.2	9.1	120
124						11.6	10.9	9.8	10.1	9.0	8.3	7.2	124
128							9.1	8.0	8.3	7.2	6.5	5.5	128
132									6.6	5.6			132

SCC6500A-HJFJDB_4 LOAD CHART

Boom 114~159m Jib 12m B-J Angle20° SL R 17m SL CWT 250t Rear CWT 210t Carbody CWT 60t Unit: t

R	Boom (m)												R
m	114	117	120	123	126	129	132	135	138	141	144	147	m
18	129*	130*	130*	130*									18
19	127*	127*	128*	128*	127*	125*	120*	115*					19
20	125*	125*	126*	126*	127*	125*	120*	115*	110*	105*	99.2*	94.7*	20
22	121*	121*	122*	123*	123*	124*	120*	115*	110*	105*	98.7*	94.2*	22
24	117*	118*	118*	119*	120*	120*	120*	114*	110*	105*	98.7*	94.2*	24
26	114*	114*	115*	116*	116*	117*	117*	114*	109*	104*	98.7*	94.2*	26
28	110*	111*	112*	113*	113*	114*	114*	114*	109*	104*	98.2*	93.7*	28
30	107*	108*	109*	110*	110*	111*	111*	112*	108*	104*	98.2*	93.3*	30
32	104*	105*	105*	107*	107*	108*	108	109	107	103*	97.5*	93.1*	32
34	100*	101*	101*	103	103	105	104	106	105	102	96.4	92.3*	34
36	96.6	97.6	97.1	99.1	99.2	100	101	101	101	98.8	95.3	90.8	36
38	93.2	94.2	94.2	95.6	95.8	96.8	97.6	98.0	97.8	97.0	94.2	90.5	38
40	89.7	90.7	91.1	92.1	92.6	93.6	94.1	95.1	94.6	94.0	93.0	89.2	40
44	85.8	86.7	87.5	88.2	89.0	89.7	90.5	91.1	91.1	92.1	91.1	87.2	44
48	81.8	83.1	83.9	84.6	85.4	86.0	86.8	87.5	88.0	88.8	89.2	85.4	48
52	78.9	79.9	80.4	81.3	81.8	82.8	83.3	84.3	84.8	85.3	86.2	83.8	52
56	76.2	76.9	77.7	78.4	79.2	79.9	80.4	81.3	82.0	82.5	83.2	82.1	56
60	73.6	74.3	75.1	75.8	76.5	77.1	77.9	78.5	80.4	79.5	80.5	80.0	60
64	71.1	71.5	72.5	73.0	74.0	74.5	75.6	76.0	77.7	76.6	75.9	74.9	64
68	68.8	69.6	70.2	71.1	71.6	71.8	71.1	70.1	70.3	69.3	68.6	67.6	68
72	66.6	67.6	67.1	66.1	66.4	65.3	64.6	63.6	63.8	62.8	62.1	61.0	72

SCC6500A-HJFJDB_4 LOAD CHART

Boom 114~159m Jib 12m B-J Angle20° SL R 17m SL CWT 310t Rear CWT 210t Carbody CWT 60t Unit: t

R	Boom (m)												R
m	114	117	120	123	126	129	132	135	138	141	144	147	m
18	129*	130*	130*	130*									18
19	127*	127*	128*	128*	127*	125*	120*	115*					19
20	125*	125*	126*	126*	127*	125*	120*	115*	110*	105*	99.2*	94.7*	20
22	121*	121*	122*	123*	123*	124*	120*	115*	110*	105*	98.7*	94.2*	22
24	117*	118*	118*	119*	120*	120*	120*	114*	110*	105*	98.7*	94.2*	24
26	114*	114*	115*	116*	116*	117*	117*	114*	109*	104*	98.7*	94.2*	26
28	110*	111*	112*	113*	113*	114*	114*	114*	109*	104*	98.2*	93.7*	28
30	107*	108*	109*	110*	110*	111*	111*	112*	108*	104*	98.2*	93.3*	30
32	104*	105*	105*	107*	107*	108*	108*	109*	107*	103*	97.5*	93.1*	32
34	100*	101*	101*	103*	103*	105*	104*	106*	105*	102*	96.4*	92.3*	34
36	96.6*	97.6*	97.1*	99.1*	99.2*	100*	101*	101*	101*	98.8*	95.3*	90.8*	36
38	93.2*	94.2*	94.2*	95.6*	95.8*	96.8*	97.6*	98.0*	97.8*	97.0*	94.2*	90.5*	38
40	89.7*	90.7*	91.1*	92.1*	92.6*	93.6*	94.1*	95.1*	94.6*	94.0*	93.0*	89.2*	40
44	85.8*	86.7*	87.5*	88.2*	89.0*	89.7*	90.5*	91.1*	91.1*	92.1	91.1	87.2*	44
48	81.8*	83.1*	83.9*	84.6	85.4	86.0	86.8	87.5	88.0	88.8	89.2	85.4	48
52	78.9	79.9	80.4	81.3	81.8	82.8	83.3	84.3	84.8	85.3	86.2	83.8	52
56	76.2	76.9	77.7	78.4	79.2	79.9	80.4	81.3	82.0	82.5	83.2	82.1	56
60	73.6	74.3	75.1	75.8	76.5	77.1	77.9	78.5	80.4	79.5	80.5	80.0	60
64	71.1	71.5	72.5	73.0	74.0	74.5	75.6	76.0	79.2	76.9	77.9	78.4	64
68	68.8	69.6	70.2	71.1	71.6	72.1	73.1	73.6	77.5	74.6	75.6	75.8	68
72	66.6	67.6	68.1	69.1	69.6	70.1	70.9	71.5	75.4	72.5	72.3	73.5	72

SCC6500A-HJFJDB_4 LOAD CHART

Boom 114~159m Jib 12m B-J Angle20° SL R 19m SL CWT 50t Rear CWT 210t Carbody CWT 60t Unit: t

R	Boom (m)												R
m	114	117	120	123	126	129	132	135	138	141	144	147	m
18	129	130	130	130									18
19	127	127	128	128	127	125	120	115					19
20	125	125	126	126	127	125	120	115	110	105	99.2	94.7	20
22	121	121	122	123	123	124	120	115	110	105	98.7	94.2	22
24	117	118	118	119	120	120	120	114	110	105	98.7	94.2	24
26	114	114	115	116	116	117	117	114	109	104	98.7	94.2	26
28	110	111	110	109	110	109	108	107	108	104	98.2	93.7	28
30	101	100	100	99.3	99.5	98.6	98.0	97.1	97.3	96.4	95.8	93.3	30
32	92.5	91.6	91.0	90.1	90.3	89.4	88.8	87.8	88.0	87.1	86.5	85.6	32
34	84.5	83.5	82.9	82.0	82.2	81.3	80.6	79.7	79.9	79.0	78.3	77.4	34
36	77.4	76.4	75.8	74.8	75.1	74.1	73.5	72.5	72.7	71.8	71.1	70.2	36
38	71.0	70.1	69.4	68.4	68.7	67.7	67.1	66.1	66.3	65.4	64.7	63.7	38
40	65.3	64.4	63.7	62.7	63.0	62.0	61.4	60.4	60.6	59.6	58.9	58.0	40
44	55.6	54.6	53.9	52.9	53.2	52.2	51.5	50.6	50.7	49.8	49.1	48.1	44
48	47.5	46.5	45.8	44.8	45.1	44.1	43.4	42.4	42.6	41.6	40.9	39.9	48
52	40.7	39.7	39.0	38.0	38.3	37.2	36.6	35.5	35.7	34.7	34.0	33.0	52
56	34.9	33.9	33.2	32.2	32.4	31.4	30.7	29.7	29.9	28.9	28.2	27.2	56
60	29.9	28.9	28.2	27.1	27.4	26.4	25.7	24.6	24.8	23.8	23.1	22.1	60
64	25.5	24.5	23.8	22.7	23.0	22.0	21.3	20.2	20.4	19.4	18.7	17.7	64
68	21.7	20.6	19.9	18.9	19.1	18.1	17.4	16.4	16.5	15.5	14.8	13.8	68
72	18.2	17.2	16.5	15.4	15.7	14.7	14.0	12.9	13.1	12.1	11.3	10.3	72

SCC6500A-HJFJDB_4 LOAD CHART

Boom 114~159m Jib 12m B-J Angle20° SL R 19m SL CWT 50t Rear CWT 210t Carbody CWT 60t Unit: t

R	Boom (m)											R	
m	114	117	120	123	126	129	132	135	138	141	144	147	m
76	15.2	14.1	13.4	12.4	12.7	11.6	10.9	9.8	10.0	9.0	8.3	7.2	76
80	12.4	11.4	10.7	9.6	9.9	8.8	8.1	7.1	7.3	6.2	5.5		80
84	9.9	8.9	8.2	7.1	7.4	6.3	5.6						84
88	7.7	6.6	5.9		5.1								88
92	5.6												92

SCC6500A-HJFJDB_4 LOAD CHART

Boom 114~159m Jib 12m B-J Angle20° SL R 19m SL CWT 100t Rear CWT 210t Carbody CWT 60t Unit: t

R	Boom (m)												R
m	114	117	120	123	126	129	132	135	138	141	144	147	m
18	129	130	130	130									18
19	127	127	128	128	127	125	120	115					19
20	125	125	126	126	127	125	120	115	110	105	99.2	94.7	20
22	121	121	122	123	123	124	120	115	110	105	98.7	94.2	22
24	117	118	118	119	120	120	120	114	110	105	98.7	94.2	24
26	114	114	115	116	116	117	117	114	109	104	98.7	94.2	26
28	110	111	112	113	113	114	114	114	109	104	98.2	93.7	28
30	107	108	109	110	110	111	111	112	108	104	98.2	93.3	30
32	104	105	105	107	107	108	108	109	107	103	97.5	93.1	32
34	100	101	101	103	103	105	104	106	105	102	96.4	92.3	34
36	96.6	97.6	97.1	99.1	99.2	100	101	101	101	98.8	95.3	90.8	36
38	93.2	94.2	94.2	95.6	95.8	96.0	95.4	94.4	94.6	93.6	93.0	90.5	38
40	89.7	90.7	90.5	89.5	89.8	88.8	88.2	87.2	87.4	86.4	85.8	84.8	40
44	79.8	78.8	78.2	77.2	77.5	76.5	75.8	74.8	75.0	74.0	73.4	72.4	44
48	69.7	68.7	68.0	67.0	67.3	66.3	65.6	64.6	64.8	63.8	63.1	62.1	48
52	61.1	60.1	59.4	58.4	58.7	57.7	57.0	56.0	56.1	55.1	54.5	53.5	52
56	53.8	52.8	52.1	51.0	51.3	50.3	49.6	48.6	48.8	47.8	47.1	46.1	56
60	47.5	46.4	45.8	44.7	45.0	44.0	43.3	42.2	42.4	41.4	40.7	39.7	60
64	42.0	40.9	40.2	39.2	39.5	38.4	37.7	36.7	36.9	35.9	35.2	34.1	64
68	37.1	36.1	35.4	34.3	34.6	33.6	32.9	31.8	32.0	31.0	30.3	29.3	68
72	32.8	31.8	31.1	30.0	30.3	29.3	28.5	27.5	27.7	26.7	25.9	24.9	72

SCC6500A-HJFJDB_4 LOAD CHART

Boom 114~159m Jib 12m B-J Angle20° SL R 19m SL CWT 150t Rear CWT 210t Carbody CWT 60t Unit: t

R	Boom (m)												R
m	114	117	120	123	126	129	132	135	138	141	144	147	m
18	129*	130*	130*	130*									18
19	127*	127*	128*	128*	127*	125*	120*	115*					19
20	125*	125*	126	126	127	125	120*	115*	110*	105*	99.2*	94.7*	20
22	121	121	122	123	123	124	120	115	110	105	98.7*	94.2*	22
24	117	118	118	119	120	120	120	114	110	105	98.7	94.2	24
26	114	114	115	116	116	117	117	114	109	104	98.7	94.2	26
28	110	111	112	113	113	114	114	114	109	104	98.2	93.7	28
30	107	108	109	110	110	111	111	112	108	104	98.2	93.3	30
32	104	105	105	107	107	108	108	109	107	103	97.5	93.1	32
34	100	101	101	103	103	105	104	106	105	102	96.4	92.3	34
36	96.6	97.6	97.1	99.1	99.2	100	101	101	101	98.8	95.3	90.8	36
38	93.2	94.2	94.2	95.6	95.8	96.8	97.6	98.0	97.8	97.0	94.2	90.5	38
40	89.7	90.7	91.1	92.1	92.6	93.6	94.1	95.1	94.6	94.0	93.0	89.2	40
44	85.8	86.7	87.5	88.2	89.0	89.7	90.5	91.1	91.1	92.1	91.1	87.2	44
48	81.8	83.1	83.9	84.6	85.4	86.0	86.8	86.8	86.9	86.0	85.3	84.3	48
52	78.9	79.9	79.8	78.8	79.1	78.1	77.4	76.4	76.6	75.6	74.9	73.9	52
56	72.7	71.7	71.0	69.9	70.2	69.2	68.5	67.5	67.7	66.7	66.0	65.0	56
60	65.1	64.0	63.4	62.3	62.6	61.6	60.9	59.8	60.0	59.0	58.3	57.3	60
64	58.4	57.4	56.7	55.7	55.9	54.9	54.2	53.2	53.4	52.4	51.6	50.6	64
68	52.6	51.5	50.8	49.8	50.1	49.1	48.3	47.3	47.5	46.5	45.8	44.7	68
72	47.4	46.4	45.7	44.6	44.9	43.9	43.1	42.1	42.3	41.3	40.5	39.5	72

SCC6500A-HJFJDB_4 LOAD CHART

Boom 114~159m Jib 12m B-J Angle20° SL R 19m SL CWT 150t Rear CWT 210t Carbody CWT 60t Unit: t

R	Boom (m)												R
m	114	117	120	123	126	129	132	135	138	141	144	147	m
76	42.8	41.7	41.0	40.0	40.3	39.2	38.5	37.4	37.6	36.6	35.9	34.9	76
80	38.6	37.5	36.8	35.8	36.1	35.0	34.3	33.3	33.5	32.4	31.7	30.7	80
84	34.8	33.8	33.1	32.0	32.3	31.3	30.5	29.5	29.7	28.7	27.9	26.9	84
88	31.4	30.4	29.6	28.6	28.9	27.8	27.1	26.0	26.3	25.2	24.5	23.4	88
92	28.3	27.2	26.5	25.4	25.8	24.7	24.0	22.9	23.1	22.1	21.3	20.3	92
96	25.4	24.3	23.6	22.6	22.9	21.8	21.1	20.0	20.3	19.2	18.5	17.4	96
100	22.8	21.7	21.0	19.9	20.2	19.2	18.5	17.4	17.6	16.6	15.8	14.8	100
104	20.3	19.3	18.6	17.5	17.8	16.7	16.0	15.0	15.2	14.1	13.4	12.3	104
108	18.0	17.0	16.3	15.2	15.5	14.5	13.8	12.7	12.9	11.9	11.1	10.1	108
112	15.9	14.9	14.2	13.1	13.4	12.4	11.7	10.6	10.8	9.8	9.0	8.0	112
116			12.2	11.1	11.5	10.4	9.7	8.6	8.9	7.8	7.1	6.0	116
120				9.3	9.6	8.6	7.8	6.8	7.0	6.0	5.2		120
124						6.8	6.1	5.1	5.3				124

SCC6500A-HJFJDB_4 LOAD CHART

Boom 114~159m Jib 12m B-J Angle20° SL R 19m SL CWT 200t Rear CWT 210t Carbody CWT 60t Unit: t

R	Boom (m)												R
m	114	117	120	123	126	129	132	135	138	141	144	147	m
18	129*	130*	130*	130*									18
19	127*	127*	128*	128*	127*	125*	120*	115*					19
20	125*	125*	126*	126*	127*	125*	120*	115*	110*	105*	99.2*	94.7*	20
22	121*	121*	122*	123*	123*	124*	120*	115*	110*	105*	98.7*	94.2*	22
24	117*	118*	118*	119*	120*	120*	120*	114*	110*	105*	98.7*	94.2*	24
26	114*	114*	115*	116*	116*	117*	117*	114*	109*	104*	98.7*	94.2*	26
28	110*	111*	112*	113*	113*	114	114	114	109*	104*	98.2*	93.7*	28
30	107	108	109	110	110	111	111	112	108	104	98.2*	93.3*	30
32	104	105	105	107	107	108	108	109	107	103	97.5	93.1	32
34	100	101	101	103	103	105	104	106	105	102	96.4	92.3	34
36	96.6	97.6	97.1	99.1	99.2	100	101	101	101	98.8	95.3	90.8	36
38	93.2	94.2	94.2	95.6	95.8	96.8	97.6	98.0	97.8	97.0	94.2	90.5	38
40	89.7	90.7	91.1	92.1	92.6	93.6	94.1	95.1	94.6	94.0	93.0	89.2	40
44	85.8	86.7	87.5	88.2	89.0	89.7	90.5	91.1	91.1	92.1	91.1	87.2	44
48	81.8	83.1	83.9	84.6	85.4	86.0	86.8	87.5	88.0	88.8	89.2	85.4	48
52	78.9	79.9	80.4	81.3	81.8	82.8	83.3	84.3	84.8	85.3	86.2	83.8	52
56	76.2	76.9	77.7	78.4	79.2	79.9	80.4	81.3	82.0	82.5	83.2	82.1	56
60	73.6	74.3	75.1	75.8	76.5	77.1	77.9	77.5	77.6	76.6	75.9	74.9	60
64	71.1	71.5	72.5	72.1	72.4	71.4	70.7	69.6	69.8	68.8	68.1	67.1	64
68	68.1	67.0	66.3	65.3	65.6	64.5	63.8	62.8	63.0	62.0	61.2	60.2	68
72	62.0	60.9	60.2	59.2	59.5	58.4	57.7	56.7	56.9	55.9	55.1	54.1	72

SCC6500A-HJFJDB_4 LOAD CHART

Boom 114~159m Jib 12m B-J Angle20° SL R 19m SL CWT 250t Rear CWT 210t Carbody CWT 60t Unit: t

R	Boom (m)												R
m	114	117	120	123	126	129	132	135	138	141	144	147	m
18	129*	130*	130*	130*									18
19	127*	127*	128*	128*	127*	125*	120*	115*					19
20	125*	125*	126*	126*	127*	125*	120*	115*	110*	105*	99.2*	94.7*	20
22	121*	121*	122*	123*	123*	124*	120*	115*	110*	105*	98.7*	94.2*	22
24	117*	118*	118*	119*	120*	120*	120*	114*	110*	105*	98.7*	94.2*	24
26	114*	114*	115*	116*	116*	117*	117*	114*	109*	104*	98.7*	94.2*	26
28	110*	111*	112*	113*	113*	114*	114*	114*	109*	104*	98.2*	93.7*	28
30	107*	108*	109*	110*	110*	111*	111*	112*	108*	104*	98.2*	93.3*	30
32	104*	105*	105*	107*	107*	108*	108*	109*	107*	103*	97.5*	93.1*	32
34	100*	101*	101*	103*	103*	105*	104*	106*	105*	102*	96.4*	92.3*	34
36	96.6*	97.6*	97.1*	99.1*	99.2*	100*	101*	101*	101*	98.8*	95.3*	90.8*	36
38	93.2*	94.2*	94.2*	95.6*	95.8*	96.8*	97.6*	98.0	97.8	97.0	94.2*	90.5*	38
40	89.7*	90.7*	91.1*	92.1*	92.6*	93.6	94.1	95.1	94.6	94.0	93.0	89.2	40
44	85.8	86.7	87.5	88.2	89.0	89.7	90.5	91.1	91.1	92.1	91.1	87.2	44
48	81.8	83.1	83.9	84.6	85.4	86.0	86.8	87.5	88.0	88.8	89.2	85.4	48
52	78.9	79.9	80.4	81.3	81.8	82.8	83.3	84.3	84.8	85.3	86.2	83.8	52
56	76.2	76.9	77.7	78.4	79.2	79.9	80.4	81.3	82.0	82.5	83.2	82.1	56
60	73.6	74.3	75.1	75.8	76.5	77.1	77.9	78.5	80.4	79.5	80.5	80.0	60
64	71.1	71.5	72.5	73.0	74.0	74.5	75.6	76.0	79.2	76.9	77.9	78.4	64
68	68.8	69.6	70.2	71.1	71.6	72.1	73.1	73.6	77.5	74.6	75.6	75.7	68
72	66.6	67.6	68.1	69.1	69.6	70.1	70.9	71.3	71.5	70.5	69.7	68.7	72

SCC6500A-HJFJDB_4 LOAD CHART

Boom 114~159m Jib 12m B-J Angle20° SL R 19m SL CWT 310t Rear CWT 210t Carbody CWT 60t Unit: t

R	Boom (m)												R
m	114	117	120	123	126	129	132	135	138	141	144	147	m
18	129*	130*	130*	130*									18
19	127*	127*	128*	128*	127*	125*	120*	115*					19
20	125*	125*	126*	126*	127*	125*	120*	115*	110*	105*	99.2*	94.7*	20
22	121*	121*	122*	123*	123*	124*	120*	115*	110*	105*	98.7*	94.2*	22
24	117*	118*	118*	119*	120*	120*	120*	114*	110*	105*	98.7*	94.2*	24
26	114*	114*	115*	116*	116*	117*	117*	114*	109*	104*	98.7*	94.2*	26
28	110*	111*	112*	113*	113*	114*	114*	114*	109*	104*	98.2*	93.7*	28
30	107*	108*	109*	110*	110*	111*	111*	112*	108*	104*	98.2*	93.3*	30
32	104*	105*	105*	107*	107*	108*	108*	109*	107*	103*	97.5*	93.1*	32
34	100*	101*	101*	103*	103*	105*	104*	106*	105*	102*	96.4*	92.3*	34
36	96.6*	97.6*	97.1*	99.1*	99.2*	100*	101*	101*	101*	98.8*	95.3*	90.8*	36
38	93.2*	94.2*	94.2*	95.6*	95.8*	96.8*	97.6*	98.0*	97.8*	97.0*	94.2*	90.5*	38
40	89.7*	90.7*	91.1*	92.1*	92.6*	93.6*	94.1*	95.1*	94.6*	94.0*	93.0*	89.2*	40
44	85.8*	86.7*	87.5*	88.2*	89.0*	89.7*	90.5*	91.1*	91.1*	92.1*	91.1*	87.2*	44
48	81.8*	83.1*	83.9*	84.6*	85.4*	86.0*	86.8*	87.5*	88.0*	88.8*	89.2*	85.4*	48
52	78.9*	79.9*	80.4*	81.3*	81.8*	82.8*	83.3*	84.3	84.8	85.3	86.2	83.8	52
56	76.2*	76.9*	77.7*	78.4	79.2	79.9	80.4	81.3	82.0	82.5	83.2	82.1	56
60	73.6	74.3	75.1	75.8	76.5	77.1	77.9	78.5	80.4	79.5	80.5	80.0	60
64	71.1	71.5	72.5	73.0	74.0	74.5	75.6	76.0	79.2	76.9	77.9	78.4	64
68	68.8	69.6	70.2	71.1	71.6	72.1	73.1	73.6	77.5	74.6	75.6	75.8	68
72	66.6	67.6	68.1	69.1	69.6	70.1	70.9	71.5	75.4	72.5	72.3	73.5	72

SCC6500A-HJFJDB_4 LOAD CHART

Boom 114~159m Jib 12m B-J Angle20° SL R 21m SL CWT 50t Rear CWT 210t Carbody CWT 60t Unit: t

R	Boom (m)												R
m	114	117	120	123	126	129	132	135	138	141	144	147	m
18	129	130	130	130									18
19	127	127	128	128	127	125	120	115					19
20	125	125	126	126	127	125	120	115	110	105	99.2	94.7	20
22	121	121	122	123	123	124	120	115	110	105	98.7	94.2	22
24	117	118	118	119	120	120	120	114	110	105	98.7	94.2	24
26	114	114	115	116	116	117	117	114	109	104	98.7	94.2	26
28	110	111	112	113	113	114	113	112	109	104	98.2	93.7	28
30	106	105	104	103	104	103	102	101	101	101	98.2	93.3	30
32	96.9	96.0	95.3	94.4	94.7	93.7	93.1	92.2	92.3	91.4	90.8	89.9	32
34	88.6	87.6	87.0	86.0	86.3	85.4	84.7	83.8	83.9	83.0	82.4	81.4	34
36	81.2	80.3	79.6	78.7	78.9	78.0	77.3	76.4	76.5	75.6	74.9	74.0	36
38	74.7	73.7	73.1	72.1	72.3	71.4	70.7	69.8	69.9	69.0	68.3	67.4	38
40	68.8	67.8	67.2	66.2	66.4	65.5	64.8	63.8	64.0	63.1	62.4	61.4	40
44	58.7	57.7	57.1	56.1	56.3	55.3	54.7	53.7	53.9	52.9	52.2	51.2	44
48	50.4	49.4	48.7	47.7	48.0	47.0	46.3	45.3	45.4	44.5	43.8	42.8	48
52	43.4	42.3	41.7	40.6	40.9	39.9	39.2	38.2	38.4	37.4	36.7	35.7	52
56	37.4	36.3	35.6	34.6	34.9	33.9	33.2	32.1	32.3	31.3	30.6	29.6	56
60	32.2	31.1	30.5	29.4	29.7	28.7	28.0	26.9	27.1	26.1	25.4	24.4	60
64	27.7	26.6	25.9	24.9	25.2	24.1	23.4	22.4	22.6	21.5	20.8	19.8	64
68	23.7	22.6	21.9	20.9	21.2	20.1	19.4	18.4	18.6	17.5	16.8	15.8	68
72	20.2	19.1	18.4	17.3	17.6	16.6	15.9	14.8	15.0	14.0	13.2	12.2	72

SCC6500A-HJFJDB_4 LOAD CHART

Boom 114~159m Jib 12m B-J Angle20° SL R 21m SL CWT 100t Rear CWT 210t Carbody CWT 60t Unit: t

R	Boom (m)												R
m	114	117	120	123	126	129	132	135	138	141	144	147	m
18	129	130	130	130									18
19	127	127	128	128	127	125	120	115					19
20	125	125	126	126	127	125	120	115	110	105	99.2	94.7	20
22	121	121	122	123	123	124	120	115	110	105	98.7	94.2	22
24	117	118	118	119	120	120	120	114	110	105	98.7	94.2	24
26	114	114	115	116	116	117	117	114	109	104	98.7	94.2	26
28	110	111	112	113	113	114	114	114	109	104	98.2	93.7	28
30	107	108	109	110	110	111	111	112	108	104	98.2	93.3	30
32	104	105	105	107	107	108	108	109	107	103	97.5	93.1	32
34	100	101	101	103	103	105	104	106	105	102	96.4	92.3	34
36	96.6	97.6	97.1	99.1	99.2	100	101	101	101	98.8	95.3	90.8	36
38	93.2	94.2	94.2	95.6	95.8	96.8	97.6	98.0	97.8	97.0	94.2	90.5	38
40	89.7	90.7	91.1	92.1	92.6	93.6	94.1	93.3	93.5	92.5	91.8	89.2	40
44	85.4	84.4	83.7	82.7	83.0	82.0	81.3	80.3	80.5	79.6	78.9	77.9	44
48	74.7	73.7	73.1	72.0	72.3	71.3	70.6	69.6	69.8	68.8	68.1	67.2	48
52	65.8	64.8	64.1	63.0	63.3	62.3	61.6	60.6	60.8	59.8	59.1	58.1	52
56	58.1	57.1	56.4	55.4	55.7	54.6	53.9	52.9	53.1	52.1	51.4	50.4	56
60	51.5	50.5	49.8	48.8	49.0	48.0	47.3	46.3	46.5	45.5	44.7	43.7	60
64	45.8	44.7	44.0	43.0	43.3	42.2	41.5	40.5	40.7	39.7	38.9	37.9	64
68	40.7	39.6	38.9	37.9	38.2	37.1	36.4	35.4	35.6	34.5	33.8	32.8	68
72	36.2	35.1	34.4	33.4	33.7	32.6	31.9	30.9	31.1	30.0	29.3	28.3	72

SCC6500A-HJFJDB_4 LOAD CHART

Boom 114~159m Jib 12m B-J Angle20° SL R 21m SL CWT 150t Rear CWT 210t Carbody CWT 60t Unit: t

R	Boom (m)												R
m	114	117	120	123	126	129	132	135	138	141	144	147	m
18	129*	130*	130*	130*									18
19	127*	127*	128*	128*	127*	125*	120*	115*					19
20	125*	125*	126*	126*	127*	125*	120*	115*	110*	105*	99.2*	94.7*	20
22	121*	121*	122*	123*	123*	124	120*	115*	110*	105*	98.7*	94.2*	22
24	117	118	118	119	120	120	120	114	110	105*	98.7*	94.2*	24
26	114	114	115	116	116	117	117	114	109	104	98.7	94.2	26
28	110	111	112	113	113	114	114	114	109	104	98.2	93.7	28
30	107	108	109	110	110	111	111	112	108	104	98.2	93.3	30
32	104	105	105	107	107	108	108	109	107	103	97.5	93.1	32
34	100	101	101	103	103	105	104	106	105	102	96.4	92.3	34
36	96.6	97.6	97.1	99.1	99.2	100	101	101	101	98.8	95.3	90.8	36
38	93.2	94.2	94.2	95.6	95.8	96.8	97.6	98.0	97.8	97.0	94.2	90.5	38
40	89.7	90.7	91.1	92.1	92.6	93.6	94.1	95.1	94.6	94.0	93.0	89.2	40
44	85.8	86.7	87.5	88.2	89.0	89.7	90.5	91.1	91.1	92.1	91.1	87.2	44
48	81.8	83.1	83.9	84.6	85.4	86.0	86.8	87.5	88.0	88.8	89.2	85.4	48
52	78.9	79.9	80.4	81.3	81.8	82.8	83.3	83.0	83.2	82.2	81.5	80.5	52
56	76.2	76.9	77.2	76.1	76.4	75.4	74.7	73.7	73.9	72.9	72.2	71.2	56
60	70.9	69.8	69.1	68.1	68.4	67.3	66.6	65.6	65.8	64.8	64.1	63.1	60
64	63.9	62.8	62.1	61.1	61.4	60.3	59.6	58.6	58.8	57.8	57.0	56.0	64
68	57.7	56.6	55.9	54.9	55.2	54.1	53.4	52.4	52.6	51.6	50.8	49.8	68
72	52.2	51.2	50.5	49.4	49.7	48.7	47.9	46.9	47.1	46.1	45.3	44.3	72

SCC6500A-HJFJDB_4 LOAD CHART

Boom 114~159m Jib 12m B-J Angle20° SL R 21m SL CWT 150t Rear CWT 210t Carbody CWT 60t Unit: t

R	Boom (m)												R
m	114	117	120	123	126	129	132	135	138	141	144	147	m
76	47.3	46.3	45.6	44.5	44.8	43.8	43.0	42.0	42.2	41.2	40.4	39.4	76
80	42.9	41.9	41.2	40.1	40.4	39.4	38.6	37.6	37.8	36.7	36.0	35.0	80
84	39.0	37.9	37.2	36.1	36.4	35.4	34.6	33.6	33.8	32.8	32.0	31.0	84
88	35.4	34.3	33.6	32.5	32.8	31.8	31.0	30.0	30.2	29.1	28.4	27.4	88
92	32.1	31.0	30.3	29.2	29.5	28.5	27.7	26.7	26.9	25.8	25.1	24.0	92
96	29.0	28.0	27.3	26.2	26.5	25.4	24.7	23.6	23.9	22.8	22.1	21.0	96
100	26.2	25.2	24.5	23.4	23.7	22.6	21.9	20.9	21.1	20.0	19.3	18.2	100
104	23.7	22.6	21.9	20.8	21.1	20.1	19.3	18.3	18.5	17.4	16.7	15.7	104
108	21.3	20.2	19.5	18.4	18.7	17.7	17.0	15.9	16.1	15.1	14.3	13.3	108
112	19.0	18.0	17.3	16.2	16.5	15.5	14.7	13.7	13.9	12.8	12.1	11.1	112
116			15.2	14.1	14.4	13.4	12.7	11.6	11.8	10.8	10.0	9.0	116
120				12.1	12.5	11.4	10.7	9.7	9.9	8.9	8.1	7.1	120
124						9.6	8.9	7.8	8.1	7.0	6.3	5.2	124
128							7.2	6.1	6.4	5.3			128

SCC6500A-HJFJDB_4 LOAD CHART

Boom 114~159m Jib 12m B-J Angle20° SL R 21m SL CWT 200t Rear CWT 210t Carbody CWT 60t Unit: t

R	Boom (m)												R
m	114	117	120	123	126	129	132	135	138	141	144	147	m
18	129*	130*	130*	130*									18
19	127*	127*	128*	128*	127*	125*	120*	115*					19
20	125*	125*	126*	126*	127*	125*	120*	115*	110*	105*	99.2*	94.7*	20
22	121*	121*	122*	123*	123*	124*	120*	115*	110*	105*	98.7*	94.2*	22
24	117*	118*	118*	119*	120*	120*	120*	114*	110*	105*	98.7*	94.2*	24
26	114*	114*	115*	116*	116*	117*	117*	114*	109*	104*	98.7*	94.2*	26
28	110*	111*	112*	113*	113*	114*	114*	114*	109*	104*	98.2*	93.7*	28
30	107*	108*	109*	110*	110*	111*	111*	112*	108*	104*	98.2*	93.3*	30
32	104*	105*	105*	107*	107*	108	108	109	107	103*	97.5*	93.1*	32
34	100*	101*	101	103	103	105	104	106	105	102	96.4	92.3*	34
36	96.6	97.6	97.1	99.1	99.2	100	101	101	101	98.8	95.3	90.8	36
38	93.2	94.2	94.2	95.6	95.8	96.8	97.6	98.0	97.8	97.0	94.2	90.5	38
40	89.7	90.7	91.1	92.1	92.6	93.6	94.1	95.1	94.6	94.0	93.0	89.2	40
44	85.8	86.7	87.5	88.2	89.0	89.7	90.5	91.1	91.1	92.1	91.1	87.2	44
48	81.8	83.1	83.9	84.6	85.4	86.0	86.8	87.5	88.0	88.8	89.2	85.4	48
52	78.9	79.9	80.4	81.3	81.8	82.8	83.3	84.3	84.8	85.3	86.2	83.8	52
56	76.2	76.9	77.7	78.4	79.2	79.9	80.4	81.3	82.0	82.5	83.2	82.1	56
60	73.6	74.3	75.1	75.8	76.5	77.1	77.9	78.5	80.4	79.5	80.5	80.0	60
64	71.1	71.5	72.5	73.0	74.0	74.5	75.6	76.0	76.9	75.9	75.1	74.1	64
68	68.8	69.6	70.2	71.1	71.6	71.1	70.4	69.4	69.6	68.6	67.8	66.8	68
72	66.6	67.2	66.5	65.4	65.7	64.7	64.0	62.9	63.1	62.1	61.4	60.4	72

SCC6500A-HJFJDB_4 LOAD CHART

Boom 114~159m Jib 12m B-J Angle20° SL R 21m SL CWT 250t Rear CWT 210t Carbody CWT 60t Unit: t

R	Boom (m)												R
m	114	117	120	123	126	129	132	135	138	141	144	147	m
18	129*	130*	130*	130*									18
19	127*	127*	128*	128*	127*	125*	120*	115*					19
20	125*	125*	126*	126*	127*	125*	120*	115*	110*	105*	99.2*	94.7*	20
22	121*	121*	122*	123*	123*	124*	120*	115*	110*	105*	98.7*	94.2*	22
24	117*	118*	118*	119*	120*	120*	120*	114*	110*	105*	98.7*	94.2*	24
26	114*	114*	115*	116*	116*	117*	117*	114*	109*	104*	98.7*	94.2*	26
28	110*	111*	112*	113*	113*	114*	114*	114*	109*	104*	98.2*	93.7*	28
30	107*	108*	109*	110*	110*	111*	111*	112*	108*	104*	98.2*	93.3*	30
32	104*	105*	105*	107*	107*	108*	108*	109*	107*	103*	97.5*	93.1*	32
34	100*	101*	101*	103*	103*	105*	104*	106*	105*	102*	96.4*	92.3*	34
36	96.6*	97.6*	97.1*	99.1*	99.2*	100*	101*	101*	101*	98.8*	95.3*	90.8*	36
38	93.2*	94.2*	94.2*	95.6*	95.8*	96.8*	97.6*	98.0*	97.8*	97.0*	94.2*	90.5*	38
40	89.7*	90.7*	91.1*	92.1*	92.6*	93.6*	94.1*	95.1*	94.6*	94.0*	93.0*	89.2*	40
44	85.8*	86.7*	87.5*	88.2*	89.0*	89.7*	90.5*	91.1	91.1	92.1	91.1	87.2*	44
48	81.8*	83.1*	83.9	84.6	85.4	86.0	86.8	87.5	88.0	88.8	89.2	85.4	48
52	78.9	79.9	80.4	81.3	81.8	82.8	83.3	84.3	84.8	85.3	86.2	83.8	52
56	76.2	76.9	77.7	78.4	79.2	79.9	80.4	81.3	82.0	82.5	83.2	82.1	56
60	73.6	74.3	75.1	75.8	76.5	77.1	77.9	78.5	80.4	79.5	80.5	80.0	60
64	71.1	71.5	72.5	73.0	74.0	74.5	75.6	76.0	79.2	76.9	77.9	78.4	64
68	68.8	69.6	70.2	71.1	71.6	72.1	73.1	73.6	77.5	74.6	75.6	75.8	68
72	66.6	67.6	68.1	69.1	69.6	70.1	70.9	71.5	75.4	72.5	72.3	73.5	72

SCC6500A-HJFJDB_4 LOAD CHART

Boom 114~159m Jib 12m B-J Angle20° SL R 21m SL CWT 310t Rear CWT 210t Carbody CWT 60t Unit: t

R	Boom (m)												R
m	114	117	120	123	126	129	132	135	138	141	144	147	m
18	129*	130*	130*	130*									18
19	127*	127*	128*	128*	127*	125*	120*	115*					19
20	125*	125*	126*	126*	127*	125*	120*	115*	110*	105*	99.2*	94.7*	20
22	121*	121*	122*	123*	123*	124*	120*	115*	110*	105*	98.7*	94.2*	22
24	117*	118*	118*	119*	120*	120*	120*	114*	110*	105*	98.7*	94.2*	24
26	114*	114*	115*	116*	116*	117*	117*	114*	109*	104*	98.7*	94.2*	26
28	110*	111*	112*	113*	113*	114*	114*	114*	109*	104*	98.2*	93.7*	28
30	107*	108*	109*	110*	110*	111*	111*	112*	108*	104*	98.2*	93.3*	30
32	104*	105*	105*	107*	107*	108*	108*	109*	107*	103*	97.5*	93.1*	32
34	100*	101*	101*	103*	103*	105*	104*	106*	105*	102*	96.4*	92.3*	34
36	96.6*	97.6*	97.1*	99.1*	99.2*	100*	101*	101*	101*	98.8*	95.3*	90.8*	36
38	93.2*	94.2*	94.2*	95.6*	95.8*	96.8*	97.6*	98.0*	97.8*	97.0*	94.2*	90.5*	38
40	89.7*	90.7*	91.1*	92.1*	92.6*	93.6*	94.1*	95.1*	94.6*	94.0*	93.0*	89.2*	40
44	85.8*	86.7*	87.5*	88.2*	89.0*	89.7*	90.5*	91.1*	91.1*	92.1*	91.1*	87.2*	44
48	81.8*	83.1*	83.9*	84.6*	85.4*	86.0*	86.8*	87.5*	88.0*	88.8*	89.2*	85.4*	48
52	78.9*	79.9*	80.4*	81.3*	81.8*	82.8*	83.3*	84.3*	84.8*	85.3*	86.2*	83.8*	52
56	76.2*	76.9*	77.7*	78.4*	79.2*	79.9*	80.4*	81.3*	82.0*	82.5*	83.2*	82.1*	56
60	73.6*	74.3*	75.1*	75.8*	76.5*	77.1*	77.9*	78.5	80.4	79.5	80.5	80.0	60
64	71.1*	71.5*	72.5*	73.0	74.0	74.5	75.6	76.0	79.2	76.9	77.9	78.4	64
68	68.8*	69.6	70.2	71.1	71.6	72.1	73.1	73.6	77.5	74.6	75.6	75.8	68
72	66.6	67.6	68.1	69.1	69.6	70.1	70.9	71.5	75.4	72.5	72.3	73.5	72

